



Replacement Parts Manual

Lift-Rite Titan Series Hand Pallet truck
LCM50, LCU50 and Four-Way Versions



SAFETY SHOES

Always wear safety shoes when working with hand pallet trucks.



PROTECTIVE GLASSES

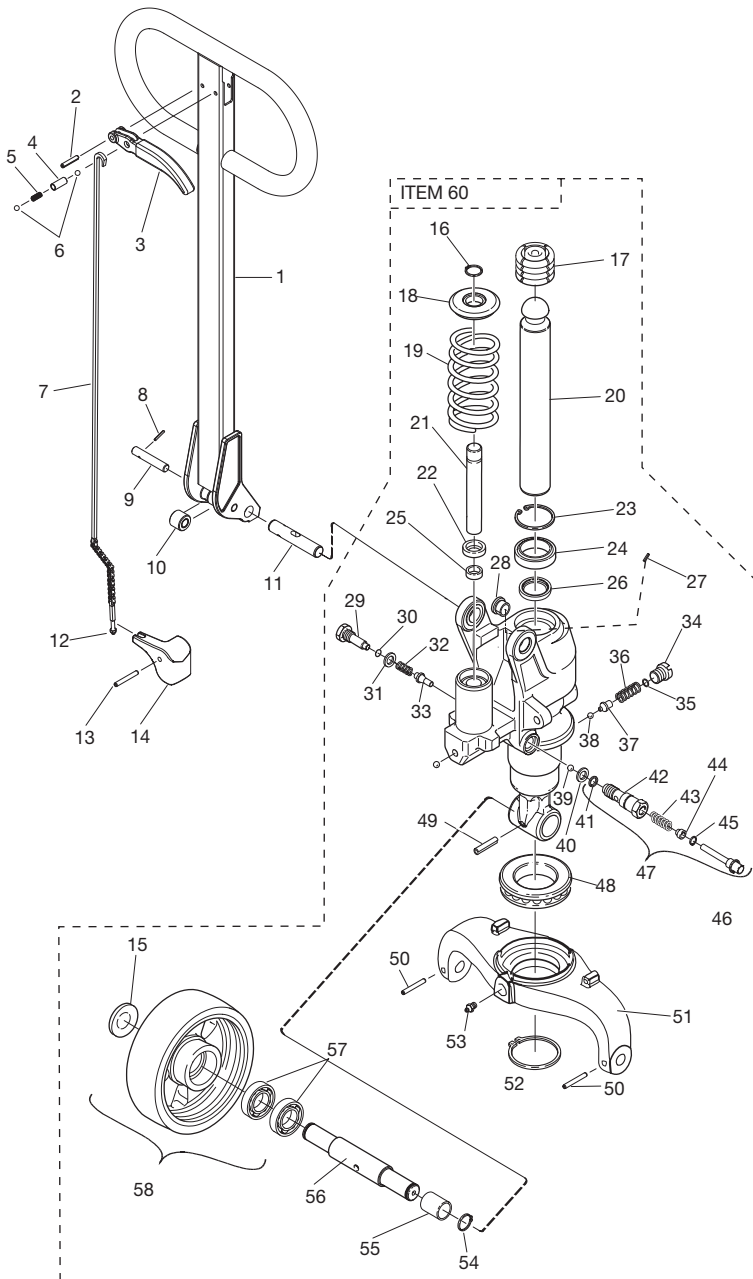
When assembling or dismantling a hand pallet truck, protective glasses must be worn to avoid personal injury.

OPERATOR'S RESPONSIBILITY

While operating a hand pallet truck always wear safety equipment and operate in a responsible manner to ensure a safe work area.



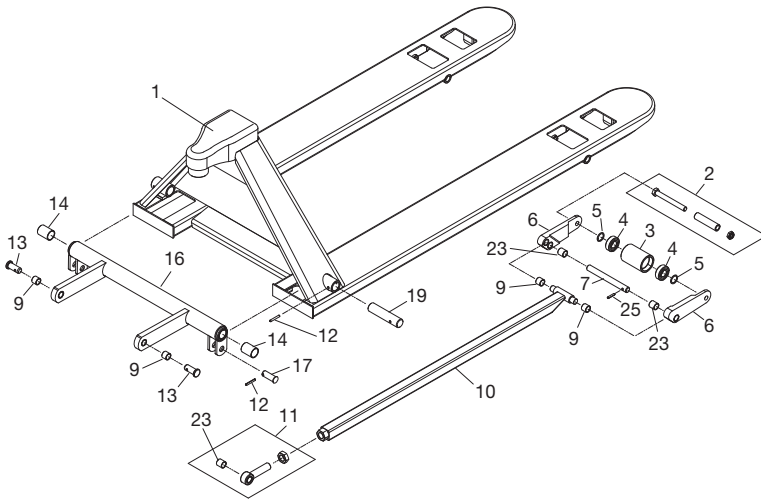
COMPLETE HYDRAULIC LIFT ASSEMBLY (PM-30277BN)



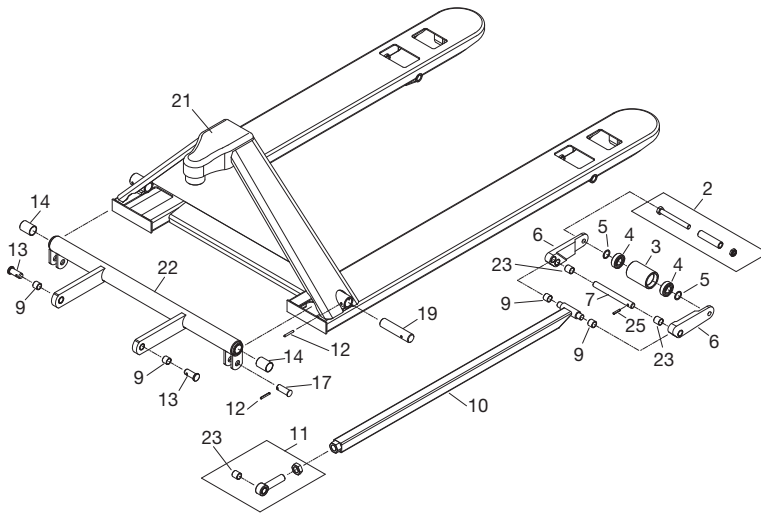
ITEM	DESCRIPTION	QTY	PART NO.
1	COMPLETE HANDLE (ITEMS 1-10)	1	PL-30276M
2	SPLIT PIN	1	20105
3	CONTROL LEVER	1	PL-40274BDM
4	CONTROL LEVER SLEEVE	1	54140
5	CONTROL LEVER SPRING	1	218182
6	CHROME BALL	2	20065
7	CONTROL ROD ASSEMBLY	1	215775
8	SPLIT PIN	1	20461
9	AXLE	1	47930
10	ROLLER W/ BUSHING	1	202755
11	AXLE	1	222750
12	ADJUSTING NUT	1	21094
13	LOCKING PIN	1	220312
14	LOWERING ARM	1	215128
15	COVER	2	156623
16	LOCKING RING	1	20043
17	SLEEVE	1	215803
18	WASHER	1	215282
19	SPRING	1	215156
20	PISTON	1	215030
21	PISTON	1	215286
22	SEALING RING	1	21060
23	LOCKING RING	1	20642
24	SEALING	1	20066
25	SEALING	1	215866
26	SEALING	1	215867
27	LOCKING PIN	1	20014
28	BUSHING	2	215913
29	SCREW	1	221586
30	O-RING	1	24213
31	WASHER	1	219201
32	SPRING	1	39106
33	VALVE CONE	1	223935
34	SCREW (OVERLOAD)	1	221232
35	O-RING (OVERLOAD)	1	22032
36	SPRING (OVERLOAD)	1	221227
37	GUIDE PIN (OVERLOAD)	1	221231
38	BALL (OVERLOAD)	1	22055
39	BALL	1	20065
40	WASHER	1	215288
41	O-RING	1	22032
42	VALVE BODY	1	223977
43	SPRING	1	47071
44	GUIDE	1	49513
45	U-RING	1	22318
46	PISTON	1	47051
47	LOWERING VALVE (COMPLETE)	1	215776
48	BALL BEARING	1	213056
49	LOCKING PIN	1	220312
50	LOCKING PIN	2	PL-20269
51	THRUST PLATE	1	245552
52	LOCKING RING	1	21737
53	GREASE NIPPLE	1	27662
54	LOCKING RING	2	20019
55	SPACER	2	161637
(REQUIRED WITH 200965 ONLY)			
56	AXLE	1	220310
57	BEARING	4	22226
58	WHEEL COMPLETE		
	NYLON	2	251189
	POLY	2	160422
	POLY/STEEL	2	200965
	STEEL	2	160433
60	HYDRAULIC UNIT	1	PM-30277BN
	REBUILD KIT	1	243772



MODEL LCM50 and LCU50 CHASSIS DIAGRAM



MODEL LCM4W and LCU4W CHASSIS DIAGRAM



ITEM	DESCRIPTION	QTY	PART NO.
1	CHASSIS (SPECIFY LENGTH & WIDTH)		
	- FOR LCM50 (2" LOW PROFILE)	1	PM-30200
	- FOR LCU50 (1.75" ULTRALOW PROFILE)	1	PM-30200U
2	AXLE - INCLUDES BOLT SLEEVE & NUT	2	PM-10215
3	LOAD ROLLER (LCM50 & LCM4W) - STEEL (w/ BEARING & SLEEVE)	2	PM-10210S-B
	- POLYURETHANE (w/ BEARING & SLEEVE)	2	PM-10210P-B
	LOAD ROLLER (LCU50 & LCU4W) - STEEL (w/ BEARING & SLEEVE)	2	PM-10210U-B
4	BEARING (LCM50 & LCM4W) - FOR STEEL & POLYURETHANE		
	LOAD ROLLER	4	PM-10214S
	BEARING (LCU50 & LCU4W) - FOR STEEL LOAD ROLLER	4	PM-10214P
5	SPACER WASHER	4	PL-10216
6	LEVER ARM ASSEMBLY (INCLUDES BUSHINGS)		
	- FOR LCM50 & LCM4W	2	PM-30212
	- FOR LCU50 & LCU4W	2	PM-30212U
7	FORK PIN	2	PM-10219
9	BUSHING	6	PL-20206
10	PUSH BAR - FOR LCM50 & LCM4W (SPECIFY LENGTH)	2	PM-20224X_
	- FOR LCU50 & LCU4W (SPECIFY LENGTH)	2	PM-20224X_U
11	EYE BOLT (INCLUDES NUT & BUSHING)	2	PL-20226
12	SPLIT PIN	6	PL-20269
13	THRUST PLATE SHOULDER PIN	2	PL-30207
14	BUSHING	2	PL-20203A
16	TORSION BAR - 20.5" WIDE LCM50 & LCU50	1	PM-30201
	- 27" WIDE LCM50 & LCU50	1	PM-30202
17	EYE BOLT PIN	2	PL-20227
19	BULKHEAD PIN	2	PL-20204
21	CHASSIS (SPECIFY LENGTH & WIDTH) - FOR LCM4W (2" LOW PROFILE)	1	PF-30200
	- FOR LCU4W (1.75" ULTRALOW PROFILE)	1	PF-30200U
22	TORSION BAR - 33" WIDE LCM4W & LCU4W	1	PF-30203
23	BUSHING	6	PL-20226A
25	SPLIT PIN	2	PM-20269



RECYCLING YOUR OLD LIFT-RITE PARTS



Chassis	Steel
Roller suspension	Steel and cast iron
Bushings	Brass
Grease fittings	Steel
Rollers	Nylon, polyurethane, steel
Hydraulic body	Cast iron
Thrust plate	Cast iron
Handle	Steel
Wheel	Nylon, polyurethane, steel
Bushings	Brass
Hydraulic oil	Disposal in accordance with local regulations
Assembly parts	Steel, brass, nylon

LIFFRITE®