

	Page
Operator's Manual/Service	1 - 12
Manuel d'instructions/Entretien	13 - 26
Handleiding bestuurder/Service	27 - 38
Instruktionsbok/Service	39 - 50

Serial number: 3 588 100

Issued: 2010-08-17



The product complies with
the CE-directives

PALLET TRUCKS

Operator's Manual/Service

en

Translation of the original instruction



WARNING!

Do not use the truck before first reading through the OPERATOR'S MANUAL.

NOTE!

Keep for future reference.

STD = Standard

U = 75 mm fork height

O = Overload

Q = Quick Lifter

X = Hand brake

P/PST 5000 = Start assistance

With reservation for deviations in the product range.



DANGER!

DANGER!

Warns that an accident **will** occur if you do not follow the instructions.

The consequences are serious personal injury or possibly death and/or extremely large material damage.



WARNING!

WARNING!

Warns that an accident **can** occur if you do not follow the instructions.

The consequences are serious personal injury or possibly death and/or extremely large material damage.



CAUTION!

CAUTION!

Warns that an accident **can** occur if the instructions are not followed.

The consequences are personal injury and/or material damage.

NOTE!

NOTE!

Marks the risk of damage of the truck if the instructions are not followed.

It is the responsibility of the employer to ensure that all users of the truck possess sufficient knowledge in safe use of the truck.

Safety regulations



SAFETY SHOES

Always wear safety shoes when working with the truck.



PROTECTIVE GLASSES

Always wear protective glasses when assembling or dismantling the truck to avoid personal injury.

Control

The truck must not be used if it is damaged or has any faults that affect safety or its safe use. Also do not use the truck if it has been repaired or adjusted unless it has been checked and approved by an authorised service technician.

Operating the truck

The truck may be used only on a firm and even surface, such as concrete or asphalt.

It is not permitted to use the truck:

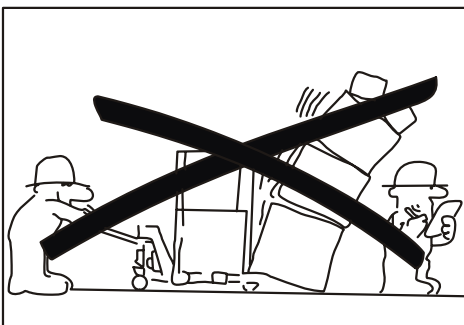
- In areas where the atmosphere contains gases that can cause fire or explosion. In such environments, a special explosion-proof truck is required.
- To transport/lift passengers.
- In cold stores or salty and other corrosive environments. Use a **stainless steel** truck in this type of environment.

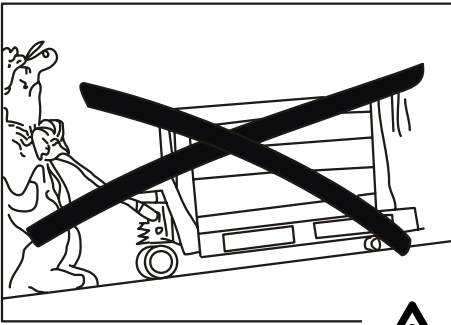
Operator's responsibility

- The truck shall only be driven with care, good judgement and in a responsible manner.
- The truck should **not** be driven with oily hands or oily shoes due to the risk of slipping.
- Never wear loose objects or jewellery when working on the truck.

Working area

- Ensure that the floor where the truck is to be used has sufficient load bearing capacity for the total weight of the truck including the maximum load.
- Take special care if there are protruding parts from racks, shelves or walls that can cause injury or damage the truck.
- It is **prohibited** for persons to be present in the area around the truck when there is a risk of personal injury, e.g. areas that can be reached by falling goods, lowering load handling devices or in the truck's manoeuvring area.





Operating and conduct while operating

- Avoid cornering at high speed.
- Pay particular attention to other personnel as well as fixed and moving objects within the working area and thereby avoid accidents.
- Always pull the truck behind you if the load blocks the view.



CAUTION!

*When operating on inclines, the truck must be operated with extreme care with the load facing downwards in the direction of the incline.
Use trucks with a hand brake.*



WARNING!

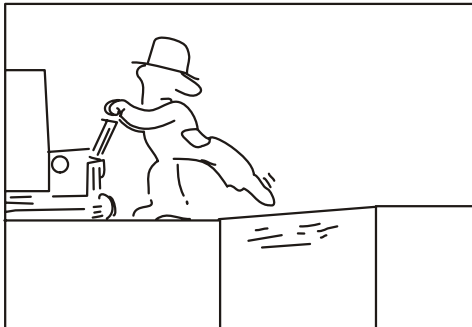
Braking shall take place gently and carefully to prevent the load from slipping off of the forks and causing damage.



CAUTION!

Adapt the speed according to the incline and surface.

- Always keep a safe distance from the edges of loading docks and loading ramps. Be attentive to marked risk areas.

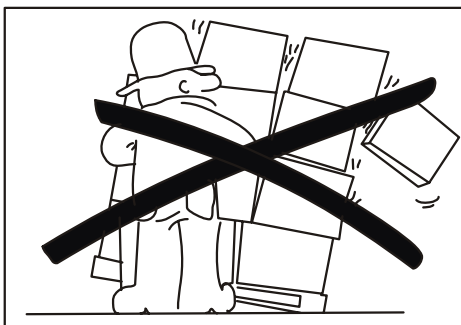


- Before the truck is driven on to a loading ramp ensure that the ramp is correctly secured and has the necessary load bearing capacity. Drive slowly and carefully across the ramp.

- When the truck is driven on to another vehicle, make sure the vehicle is stable and that the brakes have been applied correctly.

- Before the truck is driven into a lift, the operator must make sure the lift is approved for the total weight of the truck, the load, operator, and any other passengers in the lift. When entering the lift, the load must enter first, not the driver. No other personnel should be in the lift when the load or truck enters or leaves the lift.

- Any accidents that have caused personal injury or damage to buildings or equipment must be reported to the supervisor. Incidents and faults on the truck shall also be reported.



Handling loads

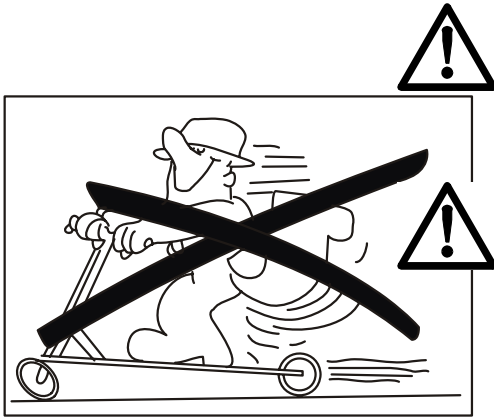
- Only handle loads that are within the truck's permitted lifting capacity. The length/width of the forks should be adapted to the load's shape and dimensions.
- Only loads that are stable, evenly distributed on the forks and safely arranged should be handled.



WARNING!

Risk of overturning.

Cornering: The load can fall from the truck if the speed is too high and cause damage. Cornering with a high load must be performed with extreme care.



WARNING!

The truck may only be used to carry goods. It is prohibited to use the truck to transport persons, and as result it must not be used as a "scooter".

WARNING!

Risk of crushing under forks.

The risk of crushing can occur when lowering or by a defect in the hydraulic system and accidental lowering.

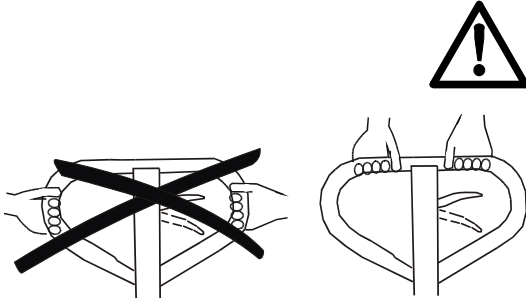
Be attentive to the risks of crushing and ensure that other persons are not in the immediate vicinity of the truck.

CAUTION!

Risk of crushing.

If the hands are placed on the outside of the handle, there is a risk of crushing in narrow spaces. There is also a risk of crushing if the hands are kept between the tow bar and the tow bar bracket, or between the top cap and the hydraulic unit.

Because of this, be sure to keep the hands only on the top of the handle when operating the truck.



Parking the truck

When parking the truck, the forks must be fully lowered.

- **Never** park the truck on an incline.
- **Never** park the truck so that it obstructs traffic or work.

Maintenance and repair

- To prevent malfunction and accidents, the truck should be maintained regularly according to the *Lubrication diagram*. Only qualified and trained personnel are permitted to maintain, adjust or repair the truck.
- Only use Lift-Rite recommended spare parts for service and repairs. See the Lift-Rite spare parts catalogue.

Modifications or conversions to the truck that affect the safe use or function are not permitted.

It is recommended that you sign a service and maintenance agreement with your closest representative to ensure the truck's operating economy and safety.

Warranty

With every factory-delivered truck, a product warranty is included according to a separate specification. The warranty is valid under the assumption that maintenance and service is performed according to the recommendations from Lift-Rite, and is performed by Lift-Rite authorized personnel, and by using spare parts recommended by Lift-Rite.

Daily service/safety checks

Check points	Action
Steering	Function
Hydraulic system	Oil level/Oil leakage
Wheels	Damage, remove oil, metal chips and the like
Chassis	Damage, remove dirt etc.
Lifting/lowering	Function lift/neutral/lower positions
Signs	Readability

NOTE!

Never neglect daily inspection and the safety checks.

Serious injury can occur if neglected.

Any faults or damage that is detected, should be reported immediately to the supervisor. Never use a faulty truck.

Safety regulations with maintenance work

- Keep the area where you carry out the service clean. Oil or water makes the floor slippery.

NOTE!

Extreme cleanliness should be observed at all times when working with the hydraulics. Dismantled parts should be clean and inspected carefully. Always replace gaskets after dismantling.

- Store and dispose of changed oil in accordance with local directives.
- Do not release solvents and the like, which are used for cleaning/washing, into drains that are not intended for this purpose. Follow the local directives that apply for disposal.
- Remove at least 100 mm (4") of paint around the welding/grinding area through sand-blasting or the use of a paint stripper when welding or grinding on painted surfaces.



CAUTION!

Harmful gases.

Paint that is heated gives off harmful gases.

Remove 100 mm (4") of paint from the work area.



WARNING!

Risk of crushing.

A poorly supported truck may fall down.

To prevent the truck from overturning, make sure it has been properly secured.



WARNING!

Risk of crushing.

There is a risk of crushing when working on the hydraulic system if the truck is loaded.

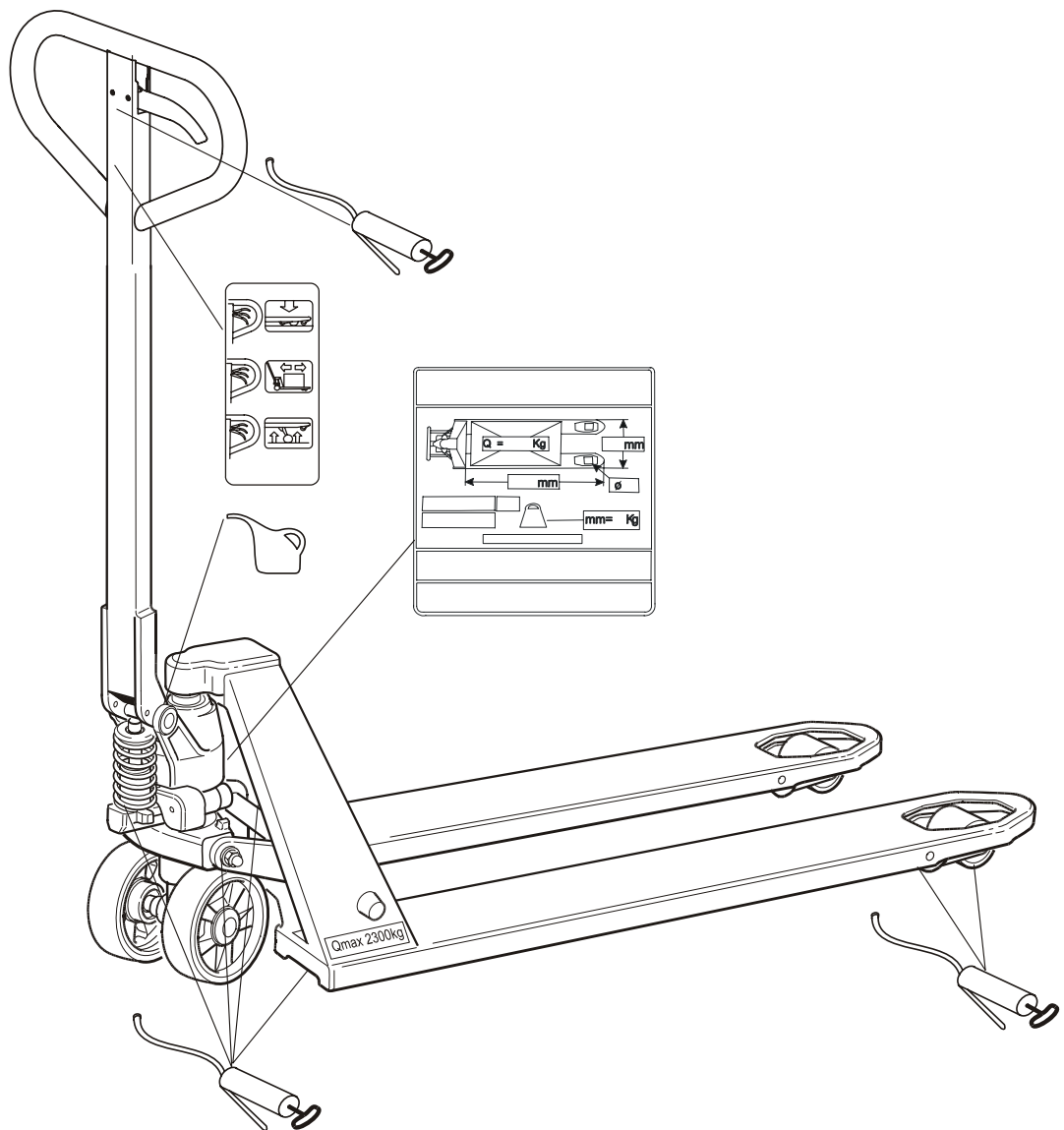
Always unload the forks prior to work on the truck.

Cleaning and washing

Cleaning and washing of the truck is important to ensure the truck's reliability.

- Always lubricate the truck after washing according to the lubrication diagram and table.

Lubrication diagram



Oil and grease specification			
Lubricant	Specification	Product name	Order No.
Grease		OKQ8 Rubens WB	213366
Hydraulic oil >-15° C	ISO-VG32 Quality level: ISO 6743-4 category HM DIN 51524 part 2 category HLP	Hydraulic oil 32	1 litre: 233328-001 5 litres: 233328-002
Hydraulic oil <-15° C	ISO-VG27,5 Quality level: ISO 6743-4 category HV DIN 51524 part 3 category HVLP	Statoil 131	1 litre: 233916-001 5 litres: 233916-002

Information signs

The weight of the load must be within the truck's permitted lifting capacity, see the truck's identification plate.

NOTE!

If a plate is unreadable a new plate must be ordered.

Technical data

This table provides information on some technical specifications for the standard truck version. Please note that deviations from this information are possible.

Truck type	LEC2300/Q/X PST 5000	LEC2300P
Rated lifting capacity, kg ¹⁾	2300	2300
Lift height, mm	200	200
Height with raised tow bar, mm	1220	1220
Total length, mm	1500	1575
Weight, kg ¹⁾	63	75
Turning radius, mm	1370	1370
Wheel pressure	Please contact your local Lift-Rite representative for current information	

¹⁾ Correct value is specified on the truck's identification plate.

Lifting the truck



WARNING!

Risk of cutting.

There is a risk of cutting when the truck is lifted by hand and holding it by the forks and the end plate.

Always use work gloves when lifting by hand.



WARNING!

Risk of crushing.

There is a risk of crushing when the truck is lifted by hand and holding it by the hydraulics body.

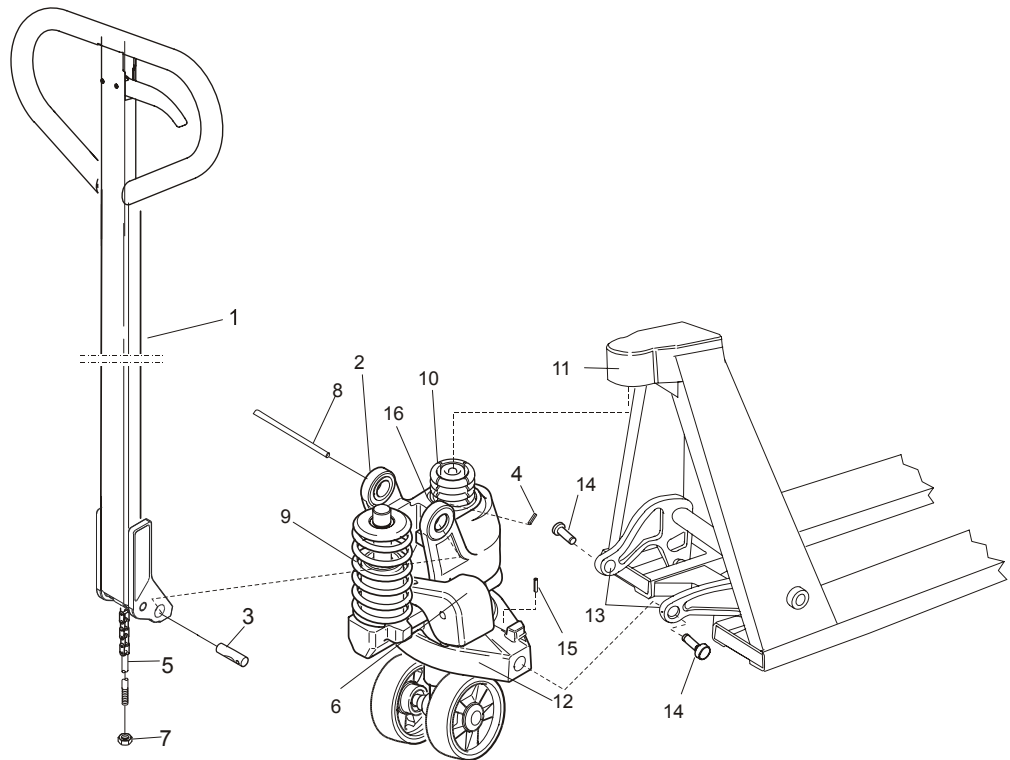
Always use work gloves when lifting by hand.

Assembly instructions



NOTE:

Always wear PROTECTIVE GLASSES when assembling the truck.



1. Assembling the tow bar:

Secure the tow bar (1) in the tow bar bracket (2). Fit the axle (3) in the bracket (2). Make sure the **tapered** hole of the axle (3) faces **downwards**. Lock the axle (3) using the locking pin (4). Slip the valve rod (5) through the hole onto the shaft (3). Engage the valve rod (5) in the groove of the lowering pedal (6). Adjust the lifting/lowering function and neutral position using the nut (7). Push down the tow bar and remove the transport pin (8) that has been fitted prior to delivery.



WARNING!

Released energy.

The spring (9) may come loose and cause injuries if the transport pin (8) is removed prior to assembling the tow bar (1). Always assemble the tow bar (1) before removing the transport pin (8).

2. Assembling the hydraulic unit in the frame:

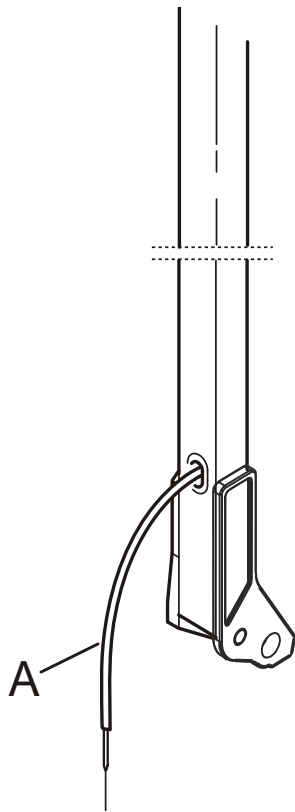
Place the upper part of the hydraulic assembly (10) in the top cap (11). Insert the hydraulic assembly pressure plate (12) between the turning tube links (13). Fit the arm bolts (14) and lock them with locking pins (15). Lubricate the arm bolts (14). Install the circlip (16) in the groove of the top cap (11).



WARNING!

Released energy.

When fitting the circlip (16), there is a risk that the circlip can slip off the circlip bar and cause injury. Be careful when fitting the circlip.



WARNING!

Released energy.

When inserting the locking pins (4, 15) using a hammer, it can bounce and cause injury.

Be careful when fitting the locking pins.

Operator instructions for the LEC 2300 X

In addition to all the other information in the operating instructions, the instructions below specifically apply to the LEC 2300 X.

- Before using the truck, make sure that the brake wire (A) is free from damage.
- Check that the braking effect is sufficient and adjust the cable tension if necessary.
- Pull the handbrake lever upwards to actuate the handbrake.

The handbrake is also equipped with a parking brake function. Press the locking catch towards the locking mechanism when the brake has been applied on the truck to lock the brake.



WARNING!

Never leave the truck in the raised position with the brake applied.

- Pull the brake handle upwards and move the lock catch outwards to release the parking brake.



CAUTION!

Risk of pinching. Never put your finger under the locking catch.



CAUTION!

Adapt the speed to the slope and surface.

Max. inclination is 5% for use of trucks fitted with a hand brake.



WARNING!

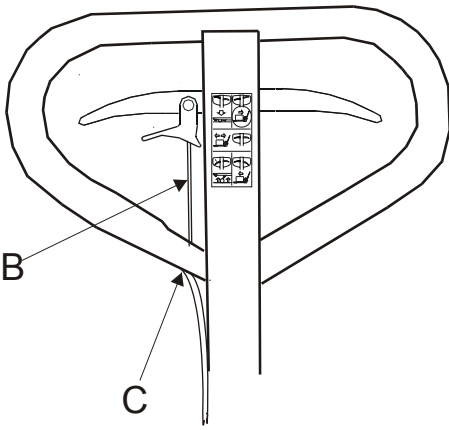
Risk of toppling.

A truck carrying a load can topple over when turning on inclines.

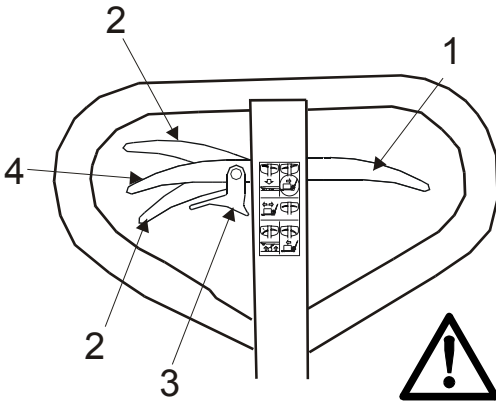
Never turn a loaded truck when driving on an incline.

Operator instructions for the LEC 2300 P/PST 5000

In addition to all the other information in the operating instructions, the instructions below specifically apply to the LEC 2300 P/PST 5000.



- Do **not** use the LEC 2300 P/PST 5000 in wet environments or in places with extreme temperature variations.
- Before using the truck, make sure that the start assist wire (B) is free from damage.
- When required, inspect the condition of the start assist wire and adjust wire tension (C).
- Prior to using the start assistance feature, set the hydraulic lowering handle (1) to the neutral position.
- Move the start assistance lever up or down (2) depending on the travel direction. When moving the lever down, be sure to first release the catch (3).
- When not using this feature, set the start assistance lever to the neutral position (4).



WARNING!

Energy released in the tow bar.

Incorrect use may result in injuries and damage to the truck.

Never use the start assistance feature to brake the truck. When the truck is moving, never set the start assistance lever to the opposite position of the travel direction.



CAUTION!

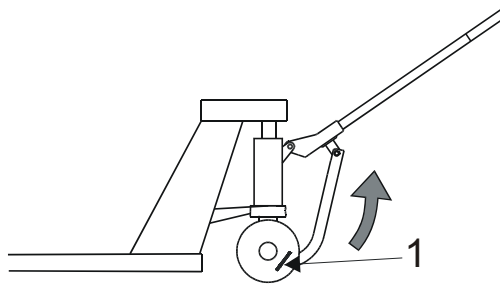
Risk of pinching. Never put your finger under the locking catch.

Additionally, never hold the hands around the start assistance link arm.

- Clean and lubricate the start assistance assembly inside in case of malfunction (blocking/seizure of wheels and/or handle).

Troubleshooting

LEC 2300 Fault	Cause	Action
Pump does not take a full stroke	Air in the hydraulic system. Insufficient hydraulic oil.	Pump 5 strokes with lowering valve open. Contact a service technician.
Lift, neutral and lowering positions do not function correctly	The lowering valve is incorrectly set	Adjust the setting of the valve chain using adjuster nut
The forks drop after every stroke	Leakage from the valve cone	Replace the valve cone and washer
LEC 2300 Q Fault	Cause	Action
Quick lift does not work	Ball valve leakage	Replace the quick rod
LEC 2300 P/PST 5000 Fault	Cause	Action
Lifting or the start assistance feature does not work satisfactorily	Lifting and start assistance have both been selected	Reset the function, which is not needed, to the neutral position
Start assistance does not engage when required	The wire has too much tension	Adjust wire tensioning using the adjustment screw
The start assistance wire is broken	Overloading	Return the clamp loop (1) to the neutral position for emergency travel and replace the wire



Recycling



Body:	Steel
Wheel suspension:	Steel and cast iron
Bushing:	Brass
Grease nipples:	Steel
Wheel:	Nylon, polyurethane, steel
Enamel:	Epoxy-polyester
Hydraulic body:	Cast iron
Pressure plate:	Cast iron
Tow bar:	Steel, nylon
Wheel:	Nylon, polyurethane, steel, rubber
Enamel:	Epoxy-polyester
Bushings:	Brass
Hydraulic oil:	Disposal acc. to local directives
Assembly parts:	Steel, brass, nylon

EC Declaration of Conformity

We,

Declare that the machine:

Make:

Type:

Serial no:

As described in attached documentation is in conformity with:

the Machinery Directive 98/37/EC (until 2009-12-28), 2006/42/EC (from 2009-12-29) by complying with the following standards; EN 1757-2

Other information

For deliveries to countries outside the European Union, differences may occur with regard to requirements for documentation in the local language.

Modification no _____

Place & date of issue)

Signature

(Company)

(Clarification of signature)

TRANSPALETTES

Manuel d'instructions/Entretien

fr

Traductions des consignes originales



AVERTISSEMENT!

Ne pas utiliser le chariot avant d'avoir lu entièrement le MANUEL D'INSTRUCTIONS.

NOTE!

A conserver pour référence future.

STD = Standard

U = haut. fourches 75 mm

O = sécurité de surcharge

Q = levée rapide

X = frein à main

P/PST 5000 = Aide au démarrage

Sous réserve de variations dans la gamme de produits.



DANGER!

DANGER!

Indique qu'un accident **se produira** inmanquablement si on ne suit pas les instructions.

Les conséquences sont des blessures graves, voire mortelles, et/ou des dégâts matériels très importants.



AVERTISSEMENT!

AVERTISSEMENT!

Indique qu'un accident **risque** de se produire si l'on ne respecte pas les instructions.

Les conséquences sont des blessures graves, voire mortelles, et/ou des dégâts matériels très importants.



ATTENTION!

ATTENTION!

Indique qu'un accident **risque** de se produire si l'on ne respecte pas les instructions.

Les conséquences sont des blessures et/ou des dégâts matériels.

NOTE!

NOTE!

Indique un risque d'accident/de panne si on ne suit pas les instructions.

Votre employeur a la responsabilité de s'assurer que vous avez les connaissances nécessaires pour utiliser le chariot sans danger.

Règles de sécurité



CHAUSSURES DE SÉCURITÉ

Le port de chaussures de sécurité est indispensable lors de toute utilisation du chariot.



LUNETTES DE PROTECTION

Porter toujours des lunettes de protection lors des opérations de montage ou de démontage du chariot afin d'éviter tout risque de blessure.

Contrôles

Ne pas utiliser le chariot s'il est endommagé ou s'il présente des défauts affectant la sécurité d'utilisation. Ne pas utiliser un chariot réparé, modifié ou réglé s'il n'a pas été contrôlé et approuvé par un technicien agréé.

Utilisation du chariot

N'utiliser le chariot que sur un sol dur à surface régulière, tel que le béton ou l'asphalte.

Il est formellement d'utiliser le chariot dans les environnements suivants :

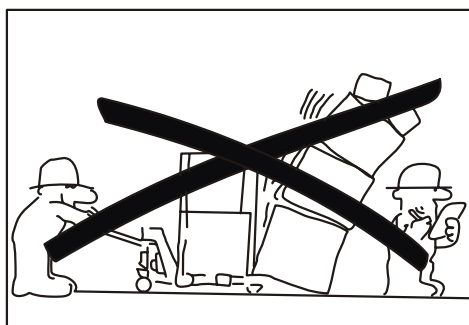
- Dans une zone dont l'air contient des vapeurs inflammables, entraînant des risques d'incendie ou d'explosion. Utiliser un chariot à l'épreuve des explosions pour ce type d'environnements de travail.
- Pour le transport/l'élévation de passagers.
- En chambres froides ou dans environnements salés ou corrosifs. Utiliser un chariot en **acier inoxydable** pour ce type d'environnements de travail.

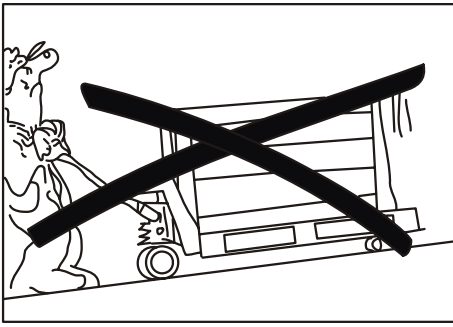
Responsabilité du cariste

- Le chariot doit être conduit de manière responsable, avec prudence et bon sens.
- **Ne jamais** conduire le chariot avec des chaussures ou des mains rendues glissantes par la présence d'huile.
- Ne pas porter de bijoux, chaînes ou pendentifs lorsqu'on intervient sur le chariot.

Zone de travail

- S'assurer que le sol sur lequel on travaille peut supporter le poids total du chariot chargé à sa capacité maximale.
- Faire attention aux éléments saillants, le long des murs et ceux dépassant les rayonnages, ils sont susceptibles d'occasionner des blessures ou d'endommager le chariot.
- Il **ne** doit y avoir **personne** dans le périmètre de sécurité autour du chariot, là où il y a risque de chute de produits, dans la trajectoire des fourches ou dans la zone de manœuvre du chariot.





Règles de conduite

- Ne pas prendre de tournants trop rapides.
- Faire particulièrement attention aux personnes et aux objets fixes ou mobiles présents dans la zone de travail, pour éviter tout accident.
- Toujours tirer le chariot derrière vous lorsque la charge bloque votre champ de vision.



ATTENTION !

Sur les plans inclinés, conduire très prudemment le chariot avec la charge tournée vers le bas.

Utiliser un chariot équipé d'un frein à main.



AVERTISSEMENT!

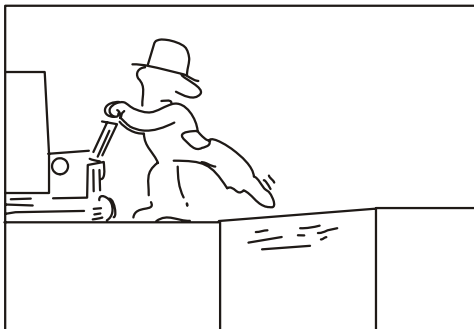
Freiner prudemment et en douceur pour éviter que la charge ne glisse des fourches et n'occasionne des dégâts.



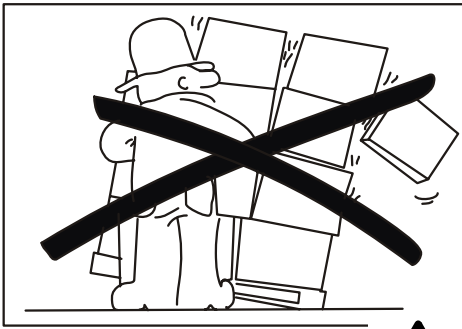
ATTENTION!

Adapter la vitesse en fonction de la pente et du revêtement.

- Toujours rester à une distance suffisante du bord des rampes et quais de chargement. Faire attention aux zones marquées dangereuses.



- Avant d'engager le chariot sur une rampe de chargement, s'assurer que la rampe est correctement fixée et offre une capacité de charge suffisante. Sur la rampe, conduire le chariot lentement et prudemment, à une distance suffisante des bords.
- Avant d'engager le chariot sur un véhicule, s'assurer que celui-ci est stable et que les freins sont correctement serrés.
- Avant d'engager le chariot dans un monte-charge, s'assurer que la charge maximum autorisée de celui-ci est suffisante pour supporter le poids combiné du chariot, de la charge, du cariste et des autres usagers éventuels du monte-charge. C'est la charge, et non le cariste, qui doit entrer d'abord dans le monte-charge. Personne ne doit se trouver dans le monte-charge lorsque la charge ou le chariot y entre ou en sort.
- Tout accident ayant occasionné des blessures aux personnes ou des dommages aux bâtiments ou à l'équipement doit être signalé à un responsable. Toute défaillance du chariot doit également être signalée .



Manutention de charges

- La charge ne doit pas dépasser la capacité de levage du chariot. La longueur et la largeur des fourches doivent être adaptées à la forme et aux dimensions de la charge.
- Ne manutentionner que des charges stables, réparties de manière équilibrée sur les fourches, disposées sans danger de tomber.



AVERTISSEMENT!

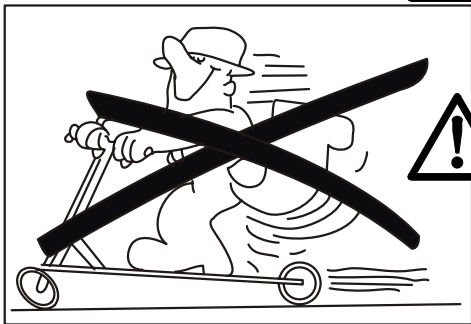
Risque de renversement.

Tournants: Si la vitesse est trop élevée, la charge risque de tomber du transpalette et de causer des dégâts. Les charges hautes demandent une prudence particulière dans les tournants.



AVERTISSEMENT !

N'utiliser le chariot que pour le transport de produits. Il est formellement défendu d'utiliser le chariot pour le transport de personnes, et notamment de l'utiliser comme une trottinette.



AVERTISSEMENT!

Risque d'écrasement sous les fourches.

Un risque d'écrasement peut survenir durant la descente des fourches ou en cas de descente accidentelle causée par une défaillance du système hydraulique.

Faire attention au risque d'écrasement et veiller à ce qu'il n'y ait personne à proximité immédiate du chariot.

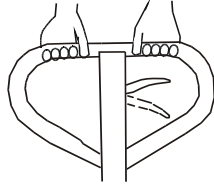
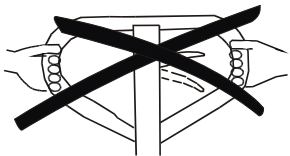


ATTENTION !

Risque d'écrasement.

Si les mains sont placées à l'extérieur de la poignée, il existe un risque d'écrasement dans les espaces étroits. Il y a également un risque d'écrasement si les mains sont placées entre le timon et le support de timon, ou entre le capot supérieur et l'unité hydraulique.

Pour cette raison, assurez-vous toujours de garder vos mains sur la partie supérieure de la poignée lorsque vous manœuvrez le transpalette.



Stationnement

Lorsqu'on gare le chariot, il faut descendre entièrement le support de charge.

- Ne **jamais** laisser le chariot en stationnement sur une surface en pente.
- Le chariot en stationnement **ne doit pas** gêner le travail ou la circulation.

Entretien et réparation

- Afin d'éviter les défaillances et les accidents, lubrifiez régulièrement le chariot conformément au *Tableau de lubrification*. L'entretien, le réglage et la réparation du chariot doivent être effectués par des personnes qualifiées, spécialement formées pour cela.
- N'utiliser que des pièces d'origine Lift-Rite recommandées pour toutes les opérations de réparation et d'entretien. Consulter pour cela le catalogue de pièces détachées Lift-Rite.

Toute modification portant atteinte à la sécurité ou au bon fonctionnement du chariot est interdite.

Il est recommandé de souscrire un contrat d'entretien chez le revendeur le plus proche pour garantir la sécurité et la rentabilité du chariot.

Garantie

Chaque chariot est fourni à sa sortie d'usine, d'un certificat de garantie. La garantie du chariot n'est valide que si l'entretien et la maintenance ont été effectués conformément aux recommandations de Lift-Rite et réalisés par du personnel agréé Lift-Rite à l'aide de pièces de rechange recommandées par Lift-Rite.

Entretien et contrôles de sécurité quotidiens

Objet	Contrôle
Direction	Fonctionnement
Système hydraulique	Niveau d'huile/Fuites
Roues	Bon état, enlever l'huile, les copeaux métalliques, etc.
Châssis	Bon état, nettoyer
Levée/descente	Fonctionnement et positions levée/point mort/descente
Plaques	Lisibilité

REMARQUE :

Ne jamais négliger l'entretien et les contrôles de sécurité quotidiens.

Sous peine de risquer des accidents graves.

Tout problème ou défaillance détecté doit être immédiatement signalé à la personne responsable.

Ne jamais utiliser un chariot défectueux.

Règles de sécurité pour l'entretien

- Veiller à la propreté du local d'entretien. L'eau et l'huile rendent le sol glissant.

NOTE!

La plus grande propreté s'impose pour toute opération touchant au système hydraulique.

Les pièces démontées doivent être propres et soigneusement inspectées. Tout joint déposé doit être remplacé.

- Conserver l'huile de vidange et s'en débarrasser conformément à la réglementation locale.
- Ne pas jeter les solvants et produits similaires utilisés pour le nettoyage dans un égout qui n'y est pas destiné. S'en débarrasser conformément à la réglementation locale.
- Avant d'entreprendre le soudage ou le meulage de surfaces peintes, éliminer la peinture dans un rayon d'au moins 100 mm autour de la zone à souder/meuler, par sablage ou à l'aide d'un décapant.



ATTENTION!

Gaz toxiques.

La peinture chauffée dégage des gaz toxiques.

Retirer la peinture dans un rayon de 100 mm autour de la zone de travail.



AVERTISSEMENT !

Risque d'écrasement.

Un chariot mal soutenu risque de tomber.

Assurez-vous que le chariot soit bien sécurisé afin d'éviter tout risque de retournement du chariot.



AVERTISSEMENT !

Risque d'écrasement.

Risque d'écrasement en cas de réparations du système hydraulique lorsque le chariot est chargé.

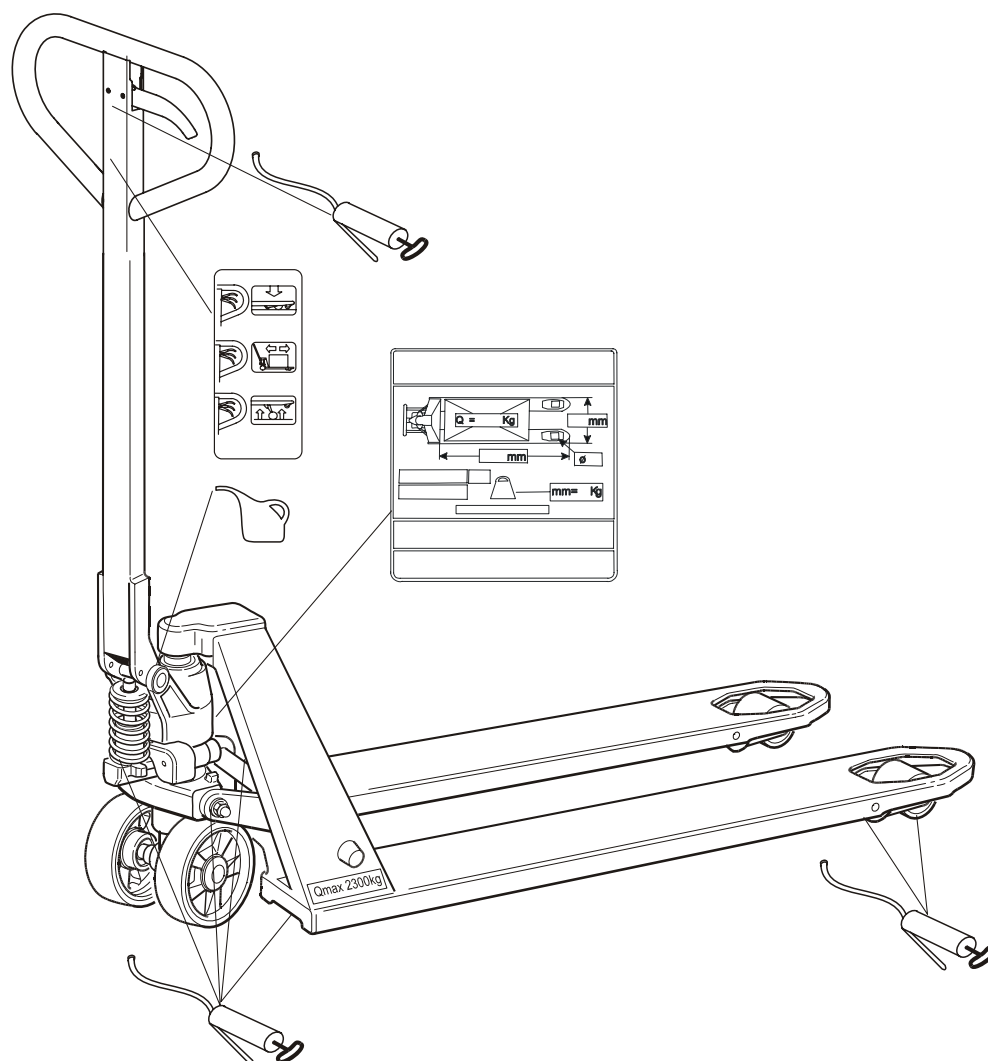
Toujours décharger la fourche avant d'entreprendre des travaux de réparation du chariot.

Nettoyage et lavage

Le nettoyage et le lavage du chariot sont importants pour la fiabilité du chariot.

- Après lavage, lubrifiez le chariot conformément au tableau de lubrification et au tableau suivant.

Tableau de lubrification



Huiles et graisses recommandées			
Lubrifiant	Recommandation	Nom de produit	N° de commande
Graisse		OKQ8 Rubens WB	213366
Huile hydraulique >-15° C	ISO-VG32 Niveau de qualité: ISO 6743-4 catégorie HM DIN 51524 partie 2 catégorie HLP	Hydraulic oil 32	1 litre: 233328-001 5 litres: 233328-002
Huile hydraulique <-15° C	ISO-VG27,5 Niveau de qualité: ISO 6743-4 catégorie HV DIN 51524 partie 3 catégorie HVLP	Statoil 131	1 litre: 233916-001 5 litres: 233916-002

Plaques d'information

Le poids de la charge doit être en accord avec la capacité de levage maximale autorisée du chariot. Reportez-vous à la plaque d'identification.

NOTE!

Si la plaque est illisible, commander une nouvelle plaque.

Fiche technique

Le tableau ci-dessous donne les valeurs de quelques caractéristiques importantes de la version standard du chariot. Notez cependant que ces caractéristiques pourront être modifiées sans préavis.

Type de chariot	LEC2300/Q/X PST 5000	LEC2300P
Capacité de levage nominale, kg ¹⁾	2300	2300
Hauteur de levage, mm	200	200
Hauteur avec barre de traction levée, mm	1220	1220
Longueur totale, mm	1500	1575
Poids, kg ¹⁾	63	75
Rayon de braquage, mm	1370	1370
Pression des pneus	Veuillez contacter votre représentant Lift-Rite pour obtenir des informations à jour	

¹⁾ La valeur correcte est spécifiée sur la plaque signalétique du chariot.

Levage du chariot



ATTENTION!

Risque de coupure.

Il y a risque important de coupures lorsque le chariot doit être soulevé à la main ou tenu au niveau des fourches et de la plaque.

Utilisez toujours des gants en cas de levage à la main.



ATTENTION!

Risque d'écrasement.

Il y a risque important d'écrasement lorsque le chariot doit être soulevé à la main ou tenu au niveau du système hydraulique.

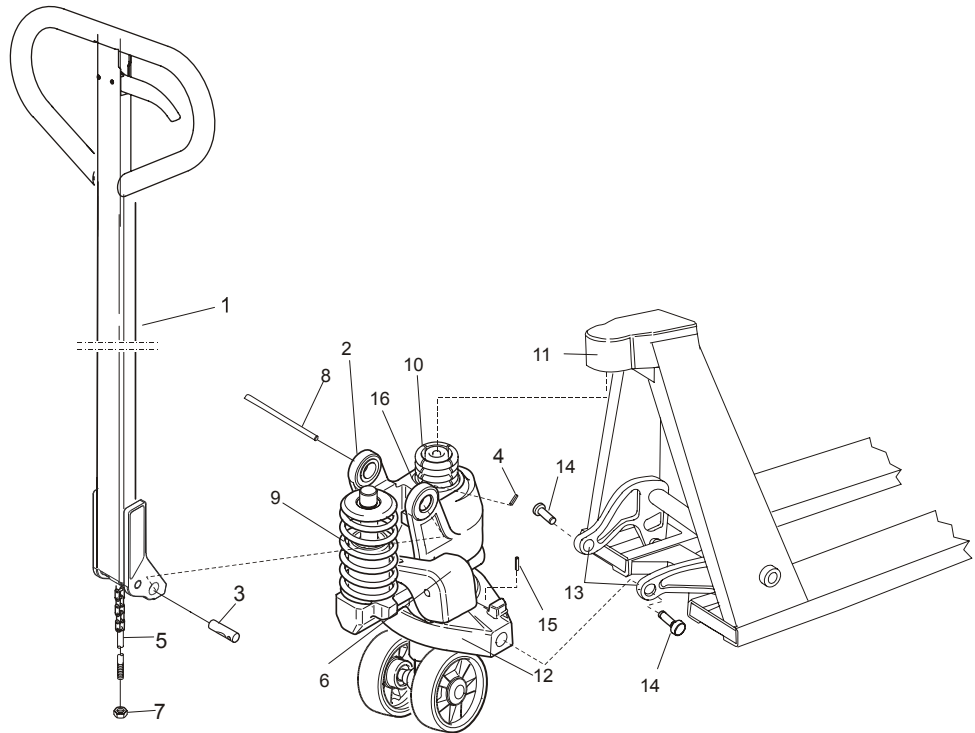
Utilisez toujours des gants en cas de levage à la main.

Instructions de montage



REMARQUE !

Pour effectuer le montage du chariot, il est indispensable de porter des LUNETTES DE PROTECTION.



1. Montage du timon :

Monter le timon (1) dans le support de timon (2). Insérer l'axe (3) dans le support (2). Vérifier que l'**orifice** de l'essieu (3) soit orienté **vers le bas**. Bloquer l'axe (3) à l'aide de la goupille (4). Faire passer la tige de manoeuvre (5) à travers l'orifice de l'essieu (3). Engager la tige (5) dans la rainure de la pédale d'abaissement (6). Régler les positions de fonctionnement de levée/descente et la position neutre à l'aide de l'écrou (7). Abaisser le timon puis retirer la goupille de transport (8) installée à l'expédition.



AVERTISSEMENT !

Libération d'énergie.

Le ressort (9) risque de sauter et d'occasionner des dégâts si on enlève la goupille de transport (8) avant que le timon (1) ne soit en place.

Monter le timon (1) avant de retirer la goupille de transport (8).

2. Montage du système hydraulique sur le châssis :

Monter le haut du système hydraulique (10) dans le capot supérieur (11). Introduire la plaque de pression du système hydraulique (12) entre les joints des tubes rotatifs (13). Insérer les boulons (14) dans les bras et les bloquer au moyen des goupilles (15). Lubrifier les boulons de bras (14). Placer le circlips (16) dans la rainure du capot supérieur (11).

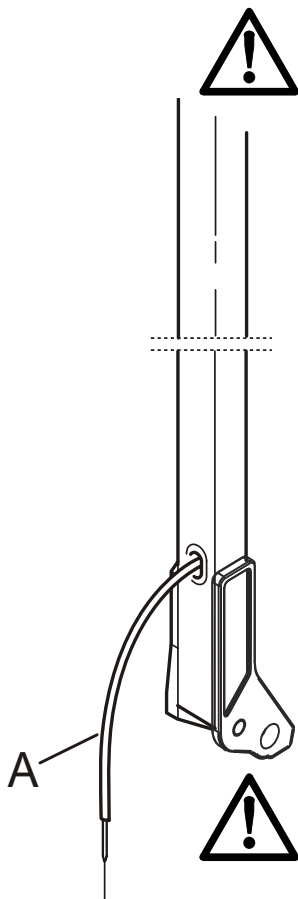


AVERTISSEMENT !

Libération d'énergie.

Lors de son insertion, le circlips (16) risque de sauter de l'outil de montage et de faire des dégâts.

Travailler prudemment pendant l'installation du circlips.



AVERTISSEMENT !

Libération d'énergie.

Lors de l'insertion des goupilles (4, 15) à l'aide d'un marteau, les goupilles risquent de sauter et de faire des dégâts.

Travailler prudemment pendant l'installation des goupilles.

Instructions de cariste pour le LEC 2300 X

Les instructions ci-dessous s'appliquent spécifiquement au LEC 2300 X, en plus des consignes d'utilisation habituelles.

- Contrôler que le câble du frein (A) n'est pas abîmé avant d'utiliser le chariot.
- Contrôler que la puissance de freinage est suffisante et régler la tension du câble si nécessaire.
- Pour actionner le frein à main, tirer la poignée du frein vers le haut.
- Le frein à main comporte également une fonction de frein de stationnement. Pour verrouiller le frein, presser le dispositif de verrouillage contre l'ergot de verrouillage quand le chariot est freiné.

AVERTISSEMENT !

Ne jamais abandonner un chariot freiné avec une charge levée.

- Pour relâcher le frein de stationnement, tirer la poignée du frein vers le haut et pousser le dispositif de verrouillage vers l'extérieur.



ATTENTION !

Risque de pincement. Ne jamais placer les doigts sous le dispositif de verrouillage.



ATTENTION !

Adapter la vitesse à l'inclinaison et la surface du sol.

Inclinaison maximale de 5% pour l'utilisation du chariot avec frein à main.



AVERTISSEMENT!

Risque important de renversement.

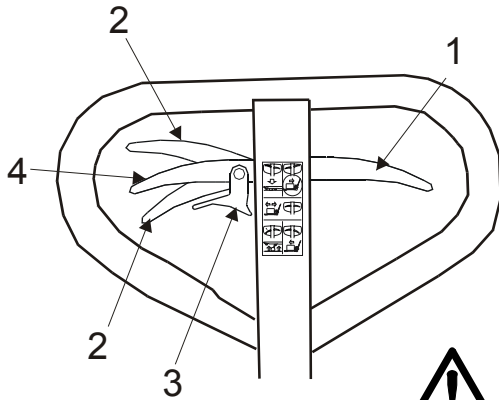
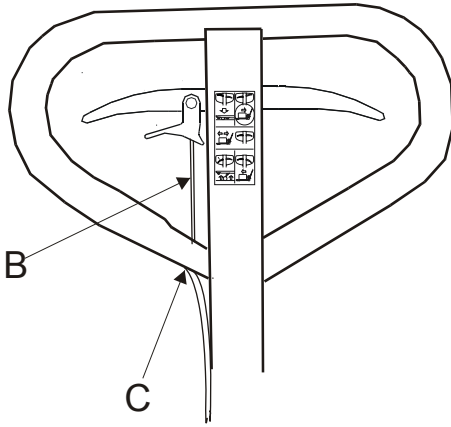
Tout chariot transportant une charge peut facilement se renverser lors d'un virage sur pente.

Ne jamais effectuer un virage sur une pente avec un chariot chargé.

Instructions de cariste pour le LEC 2300 P/PST 5000

Les instructions ci-dessous s'appliquent spécifiquement au LEC 2300 P/PST 5000, en plus des consignes d'utilisation habituelles.

Le LEC 2300 P/PST 5000 **ne** doit également pas être utilisé dans des environnements humides ou des endroits soumis à des variations extrêmes de température.



- Contrôler que le câble d'assistance au démarrage (B) n'est pas abîmé avant d'utiliser le chariot.
- Vérifier l'état du fil d'aide au démarrage, et régler la tension du fil (C) si nécessaire.
- Avant d'utiliser la fonction d'aide au démarrage, réglez la poignée hydraulique d'abaissement (1) en position neutre.
- Déplacez le levier d'aide au démarrage vers le haut ou le bas (2) en fonction de la direction de mouvement. Lorsque vous déplacez le levier vers le bas, assurez-vous d'abord de détacher le loquet (3).
- Lorsque vous n'utilisez pas cette fonction, réglez le levier d'aide au démarrage en position neutre (4).



AVERTISSEMENT !

Force motrice dans la barre de remorquage.

Un usage incorrect peut entraîner des blessures et endommager le chariot.

N'utilisez jamais la fonction d'aide au démarrage pour freiner le chariot. Lorsque le chariot est en mouvement, n'actionnez jamais le levier d'aide au démarrage dans la position opposée au sens du mouvement.



ATTENTION !

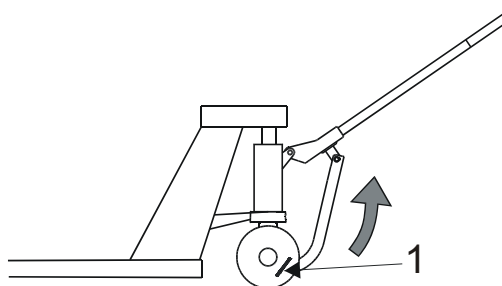
Risque de pincement. Ne jamais placer les doigts sous le dispositif de verrouillage.

De plus, ne jamais placer vos sous le bras de liaison du système d'aide au démarrage.

- En cas de désordres fonctionnels, assurez-vous d'avoir nettoyé le kit d'aide au démarrage se trouvant à l'intérieur du chariot (blocage/grippage des roues et/ou de la poignée).

Détection des pannes

LEC 2300 Problème	Cause	Solution
La pompe ne fonctionne pas à fond.	Présence d'air dans le système. Manque d'huile dans le système.	Donner 5 coups de pompe, la hydraulique soupape de descente ouverte. Contacter un technicien d'entretien.
Les positions de levée, neutre et descente ne fonctionnent pas	Réglage incorrect de la soupape d'abaissement	Régler la position de la chaîne de descente de soupape à l'aide de l'écrou
Les fourches retombent après chaque coup de pompe	Fuite au cône de soupape	Remplacer le cône de soupape et la rondelle.
LEC 2300 Q Problème	Cause	Solution
La fonction de levage rapide ne fonctionne pas correctement	Fuite au niveau du clapet à bille	Remplacer l'axe de levage rapide
LEC 2300 P/PST 5000 Problème	Cause	Solution
Le levage ou la fonction d'aide au démarrage ne fonctionne pas de manière satisfaisante	Le levage et l'aide au démarrage ont été sélectionnés en même temps	Placez la fonction dont vous n'avez pas besoin en position neutre
L'aide au démarrage ne s'engage pas comme souhaité	Le fil est trop tendu	Régler la tension du fil à l'aide de la vis de réglage
Le fil de l'aide au démarrage est rompu	Surcharge	Remettez la boucle collier en position neutre pour les déplacements urgents et remplacez le fil



Recyclage



Châssis: Acier
Suspension des roues: Acier et fonte
Coussinets: Laiton
Graisseurs: Acier
Roues: Nylon, polyuréthane, acier
Vernis: Epoxy-polyester

Corps du système

hydraulique: Fonte
Palier: Fonte
Timon: Acier, nylon
Roues: Nylon, polyuréthane, acier, caoutchouc
Vernis: Epoxy-polyester
Coussinets: Laiton
Huile hydraulique: Suivre la réglementation locale
Petites pièces: Acier, laiton, nylon

Déclaration de conformité CE

Nous,

Déclarons que la machine:

Marque:

Type:

Numéro d'immatriculation:

Telle que décrite dans la documentation ci-jointe est conforme à:

- la directive relative aux machines 98/37/EC (jusqu'au 28-12-2008), 2006/42/EC (à partir du 29-12-2009) par conformité aux normes suivantes ; EN 1757-2

Autres informations

Pour les livraisons hors de l'Union Européenne, des différences peuvent se produire en ce qui concerne les exigences de documentation dans la langue locale.

N° de modification _____

Date et lieu

Signature

Société

Nom du signataire

Cette déclaration de conformité CE a été traduite à partir de la version originale anglaise.

HANDPALLETTRUCKS

Handleiding bestuurder/Service

nl

Vertaling van de originele instructie



WAARSCHUWING!

Voordat u de truck gaat gebruiken eerst de HANDLEIDING VOOR DE BESTUURDER doorlezen.

OPGELET!

Bewaar deze handleiding als naslagwerk.

STD = Standaard

U = vorkhoogte 75 mm

O = Overload

Q = Quick Lifter

X = Handrem

P/PST 5000 = Starthulp

Afwijkingen in de produktserie voorbehouden.



GEVAAR!

GEVAAR!

Een waarschuwing dat niet opvolgen van de instructies een ongeluk tot gevolg **zal** hebben.

De gevolgen: ernstig lichamelijk letsel of mogelijk dood en/of uitermate zware materiële schade.



WAARSCHUWING!

WAARSCHUWING!

Een waarschuwing dat niet opvolgen van de instructies een ongeluk tot gevolg **kan** hebben.

De gevolgen: ernstig lichamelijk letsel of mogelijk dood en/of zware materiële schade.



VOORZICHTIG!

VOORZICHTIG!

Een waarschuwing dat niet opvolgen van de instructies een ongeluk tot gevolg **kan** hebben.

De gevolgen: lichamelijk letsel en/of materiële schade.

LET OP!

LET OP!

Geeft aan dat niet opvolgen van de instructies kan leiden tot een storing of stilstand.

Het is de verantwoordelijkheid van de werkgever om ervoor te zorgen dat alle gebruikers van de truck voldoende kennis hebben om veilig met deze truck te kunnen omgaan.

Veiligheidsvoorschriften



VEILIGHEIDSSCHOENEN

Draag altijd veiligheidsschoenen als u met de pallettruck werkt.



VEILIGHEIDSBRIL

Draag tijdens het monteren of demonteren van de truck altijd een veiligheidsbril om lichamelijk letsel te voorkomen.

Bediening

De truck mag niet worden gebruikt als hij beschadigd is of als er mankementen aan zijn die van invloed zijn op de veiligheid of op het veilig gebruik ervan. De truck mag na reparatie of aanpassingen pas worden gebruikt als hij is gecontroleerd en goedgekeurd door een bevoegd onderhoudstechnicus.

Bediening van de truck

Rijd met de truck alleen op een harde en vlakke ondergrond, bijv. beton of asfalt.

Het is niet toegestaan om de palletwagen te gebruiken:

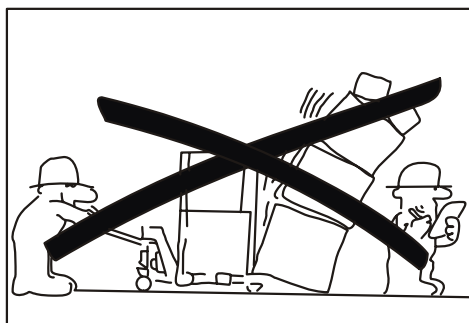
- Op plekken waar gas in de lucht zit, dat brand of explosies kan veroorzaken. In een dergelijke omgeving moet een speciale explosieveilige truck worden gebruikt.
- Om passagiers te vervoeren/heffen.
- In koelhuizen of zoute of andere corrosieveroorzakende omgevingen. Gebruik een **roestvrij stalen** truck in een dergelijke omgeving.

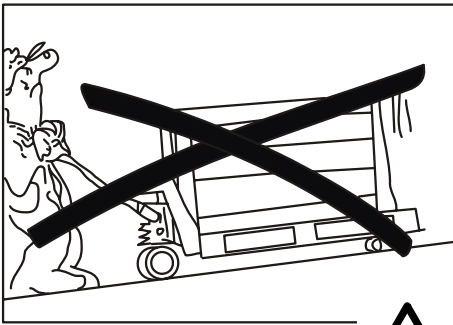
De verantwoordelijkheid van de bestuurder

- Rijd voorzichtig, verstandig en verantwoordelijk met de truck.
- De truck niet met vette handen of vette schoenen bedienen, vanwege het risico van uitglijden.
- Nooit losse dingen of sieraden dragen als u aan de truck werkt.

Werkplek

- Controleer of de vloer waarop de truck wordt gebruikt genoeg draagvermogen heeft om het totale gewicht van de truck inclusief de maximale last te dragen.
- Let vooral goed op eventuele uitstekende delen van rekken, schappen of wanden die letsel kunnen veroorzaken of de truck kunnen beschadigen.
- Het is andere personen **verboden** zich in de buurt van de truck te bevinden als er gevaar is voor persoonlijk letsel. Bijv. daar waar het gevaar bestaat dat men wordt geraakt door een vallende last of het daal- of hefmechanisme, of binnen het rijbereik van de truck.





Rijden en rijgedrag

- Neem bochten niet met hoge snelheid.
- Om schade en ongelukken te voorkomen moet de bestuurder extra gespist zijn op ander personeel en vaste en bewegende objecten op de werkplek.
- Trek de truck altijd voort als de last het zicht belemmert.



OPGELET!

Rij op hellingen de truck met de last in neerwaartse richting, in de richting van het hellende vlak. Rijd zeer voorzichtig. Gebruik trucks met een handrem.



WAARSCHUWING!

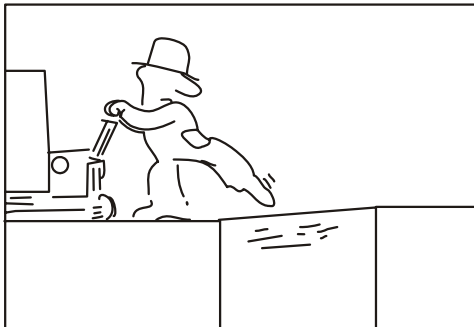
Rem rustig en voorzichtig om te voorkomen dat de last van de lastdragers afglijdt en er schade wordt veroorzaakt.



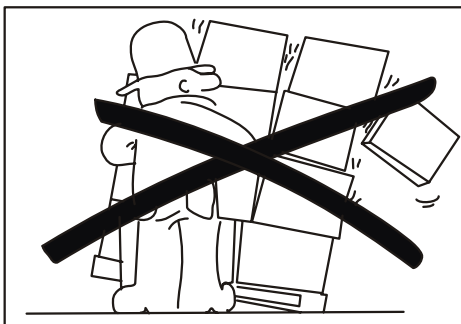
VOORZICHTIG!

Pas de snelheid aan de helling en het rijoppervlak aan.

- Bewaar altijd een veilige afstand tot kaderanden van laadkades en laadverhogingen. Kijk uit op plaatsen die als "gevaarlijk" zijn aangegeven.



- Voordat met de truck over een laadverhoging wordt gereden, dient de bestuurder eerst te controleren of de verhoging goed vastzit en of hij het noodzakelijke draagvermogen heeft. Rijd langzaam en voorzichtig over de verhoging.
- Wanneer u met het voertuig op een ander voertuig rijdt, zorg er dan voor dat dit voertuig stabiel is en dat het goed op de rem staat.
- Voordat de truck in een lift wordt gereden, dient de bestuurder te controleren dat de lift het totale gewicht van de truck, de last, de bestuurder en eventuele andere personen in de lift aankan. Ga de lift eerst met de last binnen en niet met bestuurder. Er mogen geen andere personen in de lift zijn, als de last of de truck de lift in- of uitrijdt.
- Alle ongelukken die lichamelijk letsel, of schade aan gebouwen of materieel hebben veroorzaakt moeten aan de chef worden gemeld. Ook bijna-ongelukken en storingen van de truck moeten worden gemeld.



Lastenbehandeling

- Verwerk alleen lasten die binnen het toegestane hefvermogen van de truck vallen. De lengte en breedte van de vorken moeten worden aangepast aan de vorm en de afmetingen van de last.

Behandel alleen stabiele, gelijkmatig over de vorken verdeelde en veilig bevestigde lasten.



WAARSCHUWING!

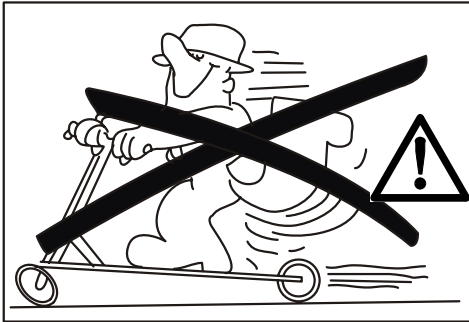
Risico van omslaan

Bochten nemen: de last kan van de truck vallen als de snelheid van de truck te hoog is en zo schade veroorzaken. Neem met een hoge last de bochten uiterst voorzichtig.



WAARSCHUWING!

De truck mag alleen worden gebruikt voor transport van goederen. Het is verboden de truck te gebruiken om personen te vervoeren en bijgevolg is het uit den boze de truck als "scooter" te gebruiken.



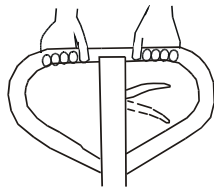
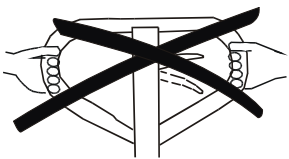
WAARSCHUWING!

*Risico van verbrijzeling onder de vorken.
Bij het dalen bestaat het risico van verbrijzeling, net als bij een evt. defect in het hydraulisch systeem of als de truck per ongeluk daalt.
Zorg dat u zich bewust bent van het risico van verbrijzeling en zorg ervoor dat er verder niemand vlak in de buurt is.*



OPGELET!

*Risico van verbrijzeling.
Wanneer de handen aan de buitenkant van de handgreep worden geplaatst, kunnen de handen in smalle ruimten bekneld raken. Ook kunnen de handen bekneld raken tussen de disselboom en de disselboomsteun en tussen de bovenste kap en de hydraulische eenheid.
Houd daarom altijd de handen aan de bovenkant van de handgreep wanneer u de pallettruck gebruikt.*



De truck parkeren

Als de truck wordt geparkeerd, moeten de vorken in de laagste stand staan.

- De truck **nooit** op een helling parkeren.
- De truck mag **nooit** zo worden geparkeerd, dat hij het overige verkeer of werk belemmert.

Onderhoud en reparatie

- Om defecten en ongelukken te voorkomen, moet de truck regelmatig worden onderhouden volgens het *Smeerschema*. Onderhoud, afstelling en reparatie van de truck is voorbehouden aan bevoegd en daartoe opgeleid personeel..
- Alleen het gebruik van Lift-Rite reserveronderdelen voor service en reparaties wordt aanbevolen. Zie de Lift-Rite catalogus met reserveonderdelen.

Aanpassingen en veranderingen aan de truck die van invloed zijn op de veiligheid en de functie van de truck, zijn niet toegestaan.

Het wordt aanbevolen een service- en onderhoudscontract af te sluiten met uw dichtstbijzijnde vertegenwoordiger om ervan verzekerd te zijn dat de truck lang meegaat en veilig werkt.

Garantie

Bij elke affabriek geleverde truck is een productgarantie bijgesloten volgens een separate specificatie. De truckgarantie geldt alleen als de service en het onderhoud gebeurt overeenkomstig de aanbevelingen van Lift-Rite, en wordt uitgevoerd door personeel dat door Lift-Rite is erkend met door Lift-Rite aanbevolen reserveonderdelen.

Dagelijks onderhoud/veiligheidscontroles

Controlepunten	Wat te doen
Sturen	Functie
Hydraulisch systeem	Oliepeil/olielekkage
Wielen	Beschadigingen, verwijder olie, metaal-schilfers, e.d.
Chassis	Beschadigingen, verwijder vuil, etc.
Heffen/dalen	Functie hef- en daalstand en vrije stand
Plaatjes	Leesbaarheid

OPGELET!

Laat dagelijkse inspecties en veiligheidscontroles nooit achterwege.

Dat kan tot ernstig letsel leiden.

Geef eventuele storingen of schade onmiddellijk door aan de chef. Gebruik nooit een defecte truck.

Veiligheidsvoorschriften bij onderhoudswerkzaamheden

- Houd de plek waar u service pleegt aan de truck schoon. Door olie en water wordt de vloer glad.

LET OP!

Zorg er te allen tijde voor dat u in uiterst schone omstandigheden aan de hydrauliek werkt. Losgehaalde onderdelen moeten schoon zijn en nauwkeurig worden nagekeken. Pakkingen na demontage altijd vervangen.

- Afgetapte olie moet worden opgeslagen en op de wettelijk toegestane manier worden afgevoerd.
- Oplosmiddelen e.d. die worden gebruikt voor reiniging/wassen, mogen niet afgevoerd worden in afvoersystemen die niet daarvoor zijn bedoeld. Volg de wettelijke voorschriften op met betrekking tot de afvoer.
- Wanneer u geverfde oppervlakken last of schuurt, moet minstens 10 cm verf rond het las- of schuurvlak worden verwijderd middels zandstralen.



WAARSCHUWING!

Schadelijke gassen

Als verf wordt verhit, komen schadelijke gassen vrij. Verwijder 10 cm verf rond de werkplek.



WAARSCHUWING!

Risico van verbrijzeling.

Een slecht ondersteunde truck kan omvallen.

Zorg ervoor dat de truck goed is vastgezet om te voorkomen dat hij omslaat.



WAARSCHUWING!

Risico van verbrijzeling.

Wanneer wordt gewerkt aan het hydraulisch systeem van een geladen truck, bestaat het risico van verbrijzeling.

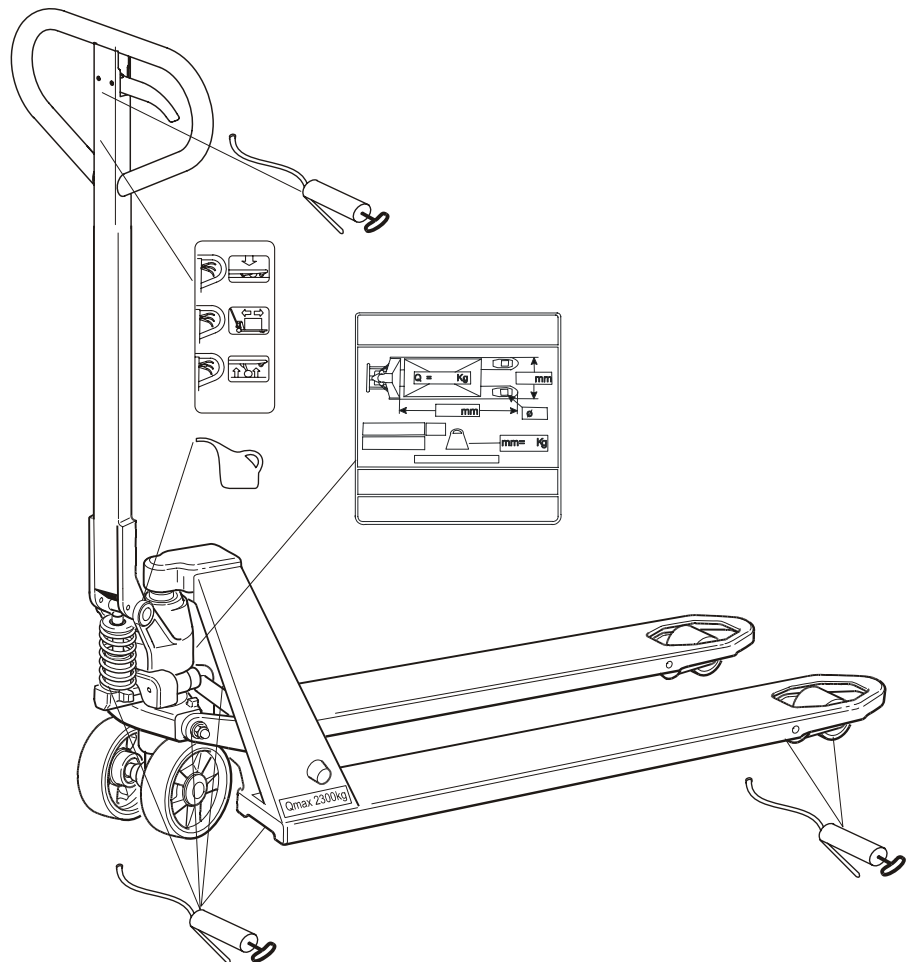
Verwijder de last van de vorken alvorens aan de truck te werken.

Reinigen en wassen

Reiniging van de truck is belangrijk om ervoor te zorgen dat de truck betrouwbaar blijft.

- Na het wassen moet u de truck smeren volgens het smeerschema en de tabel.

Smeerschema



Specificaties olie en vet			
Smeermiddel	Specificatie	Product naam	Bestelnummer
Vet		OKQ8 Rubens WB	213366
Hydraulische olie >-15° C	ISO-VG32 Kwaliteitsniveau: ISO 6743-4 categorie HM DIN 51524 deel 2 categorie HLP	Hydraulic oil 32	1 liter: 233328-001 5 liter: 233328-002
Hydraulische olie <-15° C	ISO-VG27,5 Kwaliteitsniveau: ISO 6743-4 categorie HV DIN 51524 deel 3 categorie HVLP	Statoil 131	1 liter: 233916-001 5 liter: 233916-002

Informatieplaatjes

Het gewicht van de lading mag de toegestane hefcapaciteit van de truck niet overschrijden. Zie het typeplaatje.

LET OP!

Bestel een nieuw plaatje als het onleesbaar is.

Technische gegevens

Deze tabel geeft een overzicht van enkele technische specificaties voor de standaard uitvoering van de truck. Afwijkingen van deze informatie zijn mogelijk.

Trucktype	LEC2300/Q/X PST 5000	LEC2300P
Nominale hefcapaciteit, kg ¹⁾	2300	2300
Hefhoogte, mm	200	200
Hoogte met geheven disselboom, mm	1220	1220
Totale lengte, mm	1500	1575
Gewicht, kg ¹⁾	63	75
Draaicirkel, mm	1370	1370
Wieldruk	Gelieve contact op te nemen met uw lokale Lift-Rite-vertegenwoordiger voor bijgewerkte informatie	

¹⁾ De juiste waarde is aangegeven op het typeplaatje van de truck.

De truck optillen



WAARSCHUWING!

Risico van snijwonden.

Er bestaat gevaar voor snijwonden wanneer de truck met de handen wordt opgetild en wordt vastgehouden bij de vorken of de eindplaat.

Draag steeds werkhandschoenen wanneer de truck met de handen wordt opgetild.



WAARSCHUWING!

Risico van verbrijzeling.

Er bestaat gevaar voor verbrijzeling wanneer de truck met de handen wordt opgetild en wordt vastgehouden bij de hydraulische eenheid.

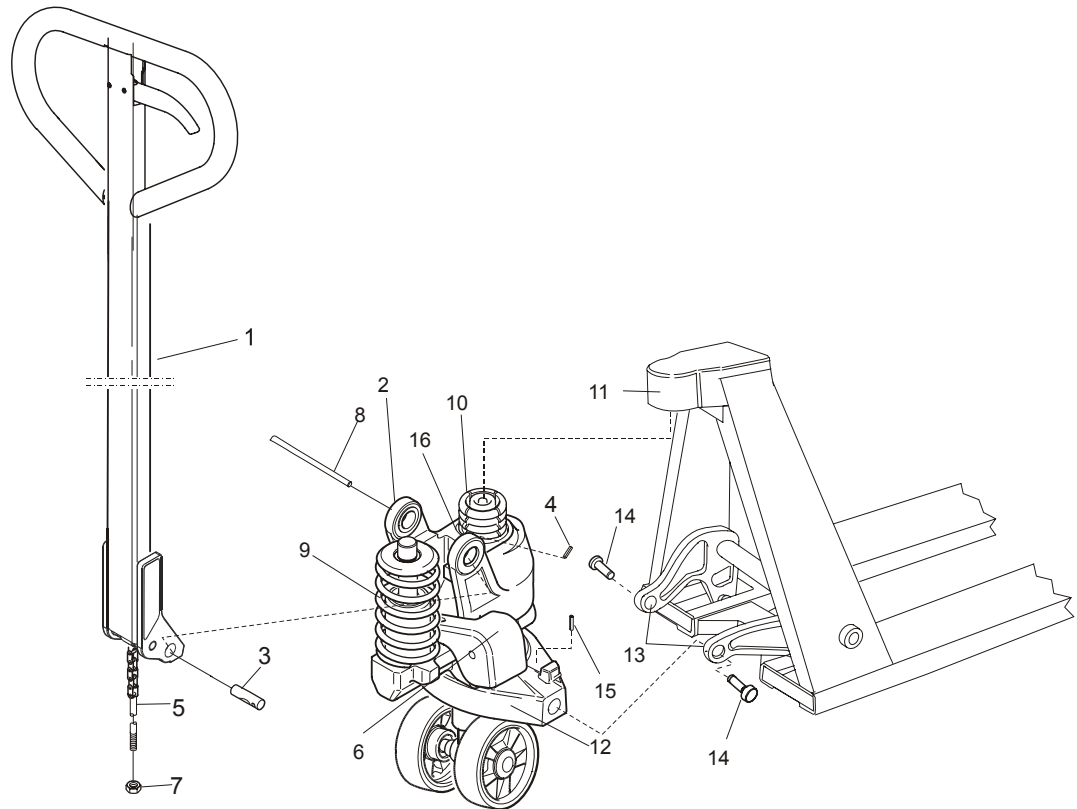
Draag steeds werkhandschoenen wanneer de truck met de handen wordt opgetild.

Montage-instructies



OPGELET!

Wanneer u de truck in elkaar zet, dient u altijd een VEILIGHEIDSBRIL te dragen.



1. De disselboom in elkaar zetten:

Zet de disselboom (1) vast in de disselboomsteun (2). Plaats de as (3) in de steun (2). Zorg ervoor dat het **tapse** gat van de as (3) **naar onderen** wijst. Vergrendel de as (3) met de borgpen (4). Schuif de ventielstang (5) door het gat op de as (3). Zet de ventielstang (5) in de groef van het daalpedaal (6). Stel de hef/daalfunctie en de vrije stand af met behulp van moer (7). Duw de disselboom omlaag en verwijder de transportpen (8) die voor de levering werd aangebracht.



WAARSCHUWING!

Vrijkomende energie.

De veer (9) kan losschieten en letsel veroorzaken als de transportpen (8) wordt verwijderd voordat de disselboom (1) wordt gemonteerd.

Monteer altijd eerst de disselboom (1) voordat u de transportpen (8) verwijdert.

2. De hydraulische eenheid monteren in het frame:

Plaats het bovenste gedeelte van de hydraulische eenheid (10) in de bovenste kap (11). Steek de drukplaat van de hydraulische eenheid (12) tussen de draaibuisverbindingen (13). Breng de bouten van de arm (14) aan en zet ze vast met borgpennen (15). Smeren de bouten van de arm (14). Breng de borgveer (16) aan in de groef in de bovenste kap (11).



WAARSCHUWING!

Vrijkomende energie.

Wanneer u de borgveer (16) monteert, bestaat het risico dat de borgveer van de borgveerstang schuift en letsel veroorzaakt. Ga voorzichtig te werk wanneer u de borgveer monteert.



WAARSCHUWING!

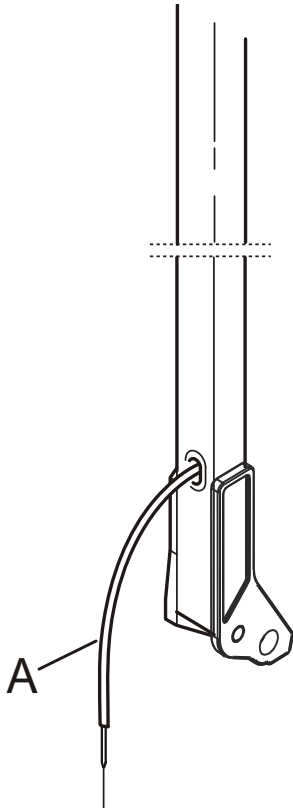
Vrijkomende energie.

Wanneer u de borgpennen (4, 15) met behulp van een hamer aanbrengt, kan hij afspringen en letsel veroorzaken. Ga voorzichtig te werk wanneer u de borgpennen aanbrengt.

Bedieningsinstructies voor de LEC 2300 X

Naast alle andere informatie in de bedieningshandleiding gelden de onderstaande instructies specifiek voor de LEC 2300 X.

- Controleer voor gebruik van de truck of de remkabel (A) onbeschadigd is.
- Controleer of de remmende werking voldoende is en stel de spanning van de kabel zonodig bij.
- Trek de remhandgreep omhoog om de handrem te activeren.
- De handrem is ook voorzien van een parkeerremfunctie. Druk de vergrendeling in tot het borgblok wanneer de wagen op de rem staat om de rem vast te zetten.



WAARSCHUWING!

Verlaat nooit een op de rem staande truck met een opgehesen last.

- Trek de remhandgreep omhoog en breng de vergrendeling naar buiten om de parkeerrem te lossen.



OPGELET!

Beknellingsgevaar. Houd nooit uw vingers onder de vergrendeling.



OPGELET!

Pas uw snelheid aan aan de helling en de ondergrond. Max. helling is 5% bij gebruik van trucks met een handrem.



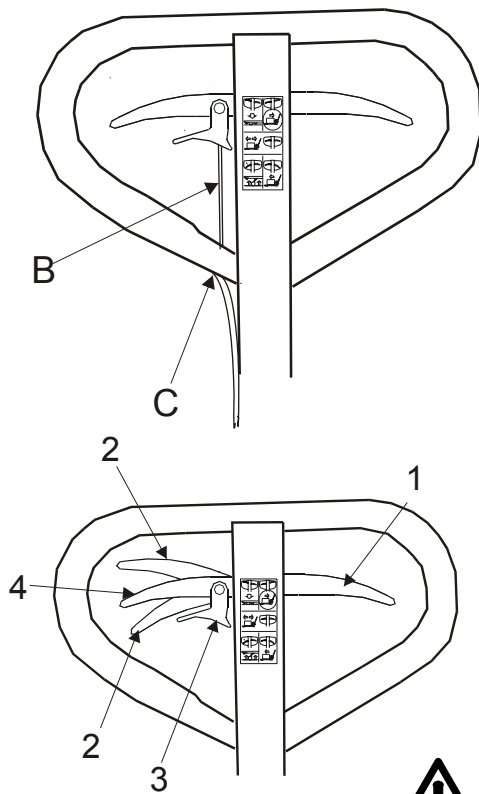
WAARSCHUWING!

Gevaar voor omkantelen.

Een beladen truck kan bij het keren op een helling omkantelen. Keer een beladen truck nooit op een helling.

Bedieningsinstructies voor de LEC 2300 P/PST 5000

Naast alle andere informatie in de bedieningshandleiding gelden de onderstaande instructies specifiek voor de LEC 2300 P/PST 5000.



- Gebruik de LEC 2300 P/PST 5000 **niet** in een vochtig omgeving of op plaatsen waar de temperatuur sterk schommelt.
- Controleer voor gebruik van de truck of de starthulpkabel (B) onbeschadigd is.
- Controleer de toestand van de starthulpkabel en stel de spanning van de kabel (C) indien nodig bij.
- Voordat u de starthulpfunctie gaat gebruiken, zet u de hydraulische daalhendel (1) in de vrije stand.
- Zet de starthulphendel omhoog of omlaag (2) afhankelijk van de rijrichting. Wanneer u de hendel omlaag zet, dient u eerst de vergrendeling (3) los te maken.
- Wanneer u deze functie niet gebruikt, zet u de starthulphendel in de vrije stand (4).



WAARSCHUWING!

Vrijkomende energie in de disselboom.

Onjuist gebruik kan letsels of beschadiging van de truck tot gevolg hebben.

Gebruik de starthulpfunctie nooit om de truck te doen stoppen.

Wanneer de truck in beweging is, mag u de starthulphendel nooit in de tegenovergestelde richting van de rijrichting zetten.



OPGELET!

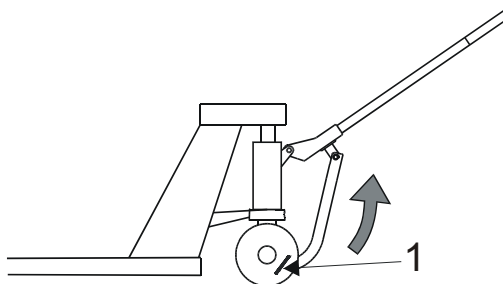
Beknellingsgevaar. Houd nooit uw vingers onder de vergrendeling.

Houd de verbindingsarm van de starthulp nooit met uw handen vast.

- Reinig en smeer de starthulpeenheid in geval van een defect (blokkeren/vastlopen van wielen en/of hendel).

Foutopsporing

LEC 2300 Defect	Oorzaak	Wat te doen
De pomp maakt geen volledige slag	Lucht in het hydraulisch systeem. Onvoldoende hydraulische olie.	Pomp vijf slagen met geopend daalventiel. Neem contact op met een onderhoudstechnicus.
De hef- en daalstand en de vrije stand functioneren niet goed	Het daalventiel is verkeerd ingesteld	Regel de spanning van de ventielketting met stelmoer
De vorken dalen na iedere slag	Lekkage bij de ventielkegel	Vervang ventielkegel en ring
LEC 2300 Q Defect	Oorzaak	Wat te doen
De snelheffing werkt niet	Lekkage van kogelventiel	Vervang de snelstang
LEC 2300 P/PST 5000 Defect	Oorzaak	Wat te doen
De heffunctie of de starthulpfunctie werkt niet naar behoren	De heffunctie en de starthulpfunctie zijn tegelijk gekozen	Zet de functie die niet nodig is opnieuw in de vrije stand
De starthulpfunctie wordt niet ingeschakeld wanneer vereist	De kabelspanning is te groot	Stel de kabelspanning bij met de afstelschroef
De starthulpkabel is gebroken	Overbelasting	Zet de klemlus (1) in de vrije stand voor rijden in geval van nood en vervang de kabel



Hergebruik



Body:	Staal
Wielophanging:	Staal en gietijzer
Bussen:	Brons
Smeernippels:	Staal
Wiel:	Nylon, polyurethaan, staal
Laklaag:	Epoxy-polyester
Behuizing hydrauliek:	Gietijzer
Drukplaat:	Gietijzer
Disselboom:	Staal, nylon
Wiel:	Nylon, polyurethaan, staal, rubber
Laklaag:	Epoxy-polyester
Bussen:	Brons
Hydraulische olie:	Afvoeren overeenkomstig wett. voorschriften
Montage-onderdelen:	Staal, brons, rubber, nylon

EG Conformiteitsverklaring

Wij,

Verklaren dat de machine:

Merk:

Type:

Serienummer:

Zoals beschreven in bijgevoegde documentatie, in overeenstemming is met:

- de Richtlijnen voor de Machines 98/37/EC (tot 2009-12-28), 2006/42/EC (van 2009-12-29) voldoen aan de volgende normen; EN 1757-2

Overige informatie

Voor levering naar landen buiten de Europese Unie kunnen er verschillen zijn met betrekking tot de vereisten voor documentatie in de landstaal.

Aanpassingsnr. _____

Plaats & datum van uitgifte

Handtekening

Bedrijf

Toelichting ondertekening

Dit EG Conformiteitsverklaring is een vertaling van de originele Engelse versie.

HANDTRUCKAR

Instruktionsbok/Service

SV

Originalinstruktion



VARNING!

För Din egen säkerhet, använd ej lyftvagnen utan att först ha läst och förstått hela manualen.

OBSERVERA!

Behålles för framtida bruk.

STD = Standard

U = 75 mm gaffelhöjd

O = Maxlast

Q = Snabblyft

X = Handbroms

P/PST 5000 = Starthjälp

Med reservation för avvikelser i produktutbud.



FARA!

FARA!

Varnar för att en olycka **kommer att** inträffa om inte föreskriften följs. Följden blir allvarlig personskada eller möjligen dödsfall och/eller utomordentligt stor egendomsskada.



VARNING!

VARNING!

Varnar för att en olycka **kan** inträffa om inte föreskriften följs. Följden kan bli allvarlig personskada eller möjligen dödsfall och/eller stor egendomsskada.



FÖRSIKTIGHET!

FÖRSIKTIGHET!

Varnar för att en olycka **kan** inträffa om inte föreskriften följs. Följden kan bli personskada och/eller egendomsskada.

OBS!

OBS!

Markerar risk för haveri om inte föreskriften följs.

Det är arbetsgivarens ansvar att se till att användaren av trucken har tillräcklig kunskap att använda den på ett säkert sätt.

Säkerhetsföreskrifter



SKYDDSSKOR

Använd alltid skyddsskor vid arbete med trucken.



SKYDDSGLASÖGON

Använd alltid skyddsglasögon vid montering och demontering av truck för att undvika personskada.

Kontroll

Om trucken har några skador eller fel som påverkar säkerheten eller säkert användande får trucken ej tas i bruk. Ej heller om trucken reparerats eller justerats utan att detta kontrollerats och godkänts av utbildad servicetekniker.

Användning av trucken

Trucken får endast användas på ett hårt och jämnt underlag, t ex betong eller asfalt.

Det är ej tillåtet att använda trucken:

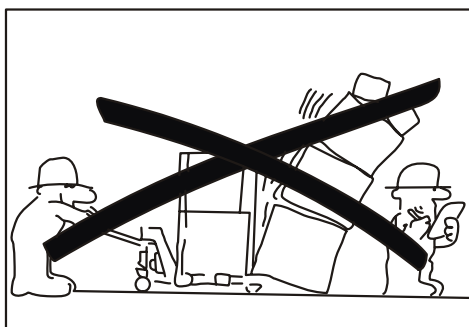
- I områden där atmosfären innehåller gaser som kan orsaka brand eller explosion. I dessa miljöer krävs en särskild explosionsskyddad truck.
- För transport/lyft av passagerare.
- I kylhus, salthaltiga- och andra korrosiva miljöer. I dessa miljöer ska en **rostfri** truck användas.

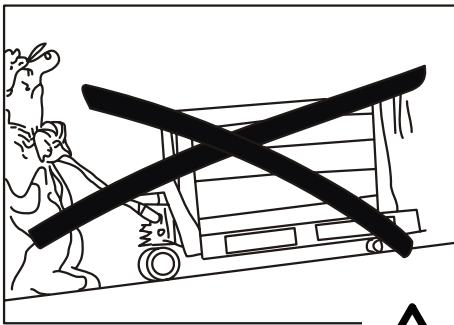
Förarens ansvar

- Trucken ska alltid köras med försiktighet, omdöme och på ett ansvars-kännande sätt.
- Kör **aldrig** trucken med oljiga händer eller oljiga skor på grund av halkrisken.
- Ha aldrig lösa föremål eller smycken på dig när du arbetar med trucken.

Arbetsområdet

- Försäkra dig om att golvet där trucken används har tillräcklig bärighet för truckens totalvikt, d.v.s. truckens vikt inklusive maximal last.
- Var särskilt uppmärksam på om det finns utskjutande delar från ställage, hyllor eller väggar som kan orsaka skada på person eller last.
- Det är **förbjudet** för annan personal att vistas i området kring trucken där det finns risk för personskador, t.ex. området som kan nås av fallande gods, sjunkande eller fallande lyftanordning eller i truckens förflyttningsområde.





Körning och uppträdande vid körning

- Undvik svängar i hög fart.
- Var särskilt uppmärksam på annan personal samt fasta eller rörliga föremål i arbetsområdet, för att undvika skador och olyckor.
- Dra alltid trucken bakom dig om lasten skymmer sikten.



FÖRSIKTIGHET!

Vid körning på lutande underlag ska trucken framföras extra försiktigt med lasten nedåt i lutningens riktning. Använd truck med handbroms.



VARNING!

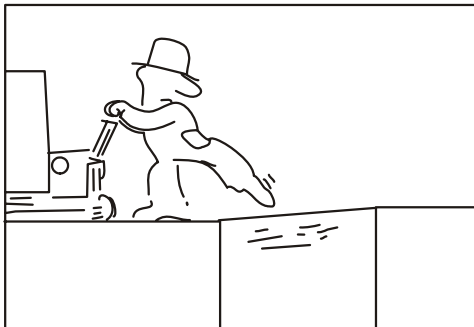
Inbromsning ska ske mjukt och försiktigt för att undvika att last glider av lastbärare och orsakar skada.



FÖRSIKTIGHET!

Anpassa hastighet efter lutning och underlag.

- Kör alltid på säkert avstånd från kanten till lastkajer och lastbryggor. Var uppmärksam på markerade riskområden.



- Innan du kör trucken över en lastbrygga, försäkra dig om att lastbryggan är säkert förankrad och har tillräcklig bärförmåga. Kör långsamt och försiktigt över lastbryggan med säkert avstånd till bryggans kant.

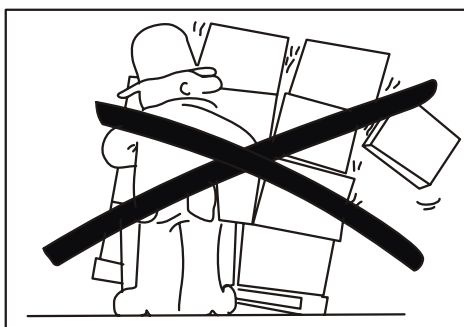
- När trucken körs ombord på ett annat fordon, försäkra dig om att det andra fordonet står stadigt och är säkert bromsat.

- Innan trucken körs in i en hiss skall föraren försäkra sig om att hissen är godkänd för den totala belastningen av truck, förare och last samt eventuella övriga hisspassagerare. Inkörning i hiss ska ske med lasten först, ej föraren. Annan person får ej befinna sig i hissen vid in- och utkörning av lasten eller trucken.

- Rapportera omedelbart olyckor som vållat skador på personal, byggnader eller utrustning till ansvarig person. Även olyckstillbud och bristfälligheter på trucken ska rapporteras.

Hantering av last

- Hantera endast last som är inom truckens tillåtna lyftkapacitet. Gafflarnas längd/bredd ska vara anpassade till lastens utformning och dimension.



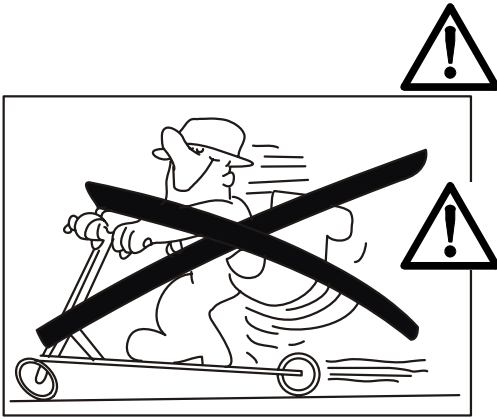
Endast last som är stabilt och jämnt fördelad på gafflarna och säkert arrangerad får hanteras.



VARNING!

Tippningsrisk.

Körning i kurvor: Last kan falla av trucken om hastigheten är för hög och orsaka skada. Körning med hög last skall göras med yttersta försiktighet.



VARNING!

Trucken ska endast användas för transport av gods. Det är förbjudet att använda den för persontransport och således är det även förbjudet att använda den som "sparkcykel".

VARNING!

Klämrisk under gafflarna/lastbärare.

Klämrisk föreligger vid sänkning eller vid ev fel i hydrauliksystemet, såsom ofrivillig sänkning.

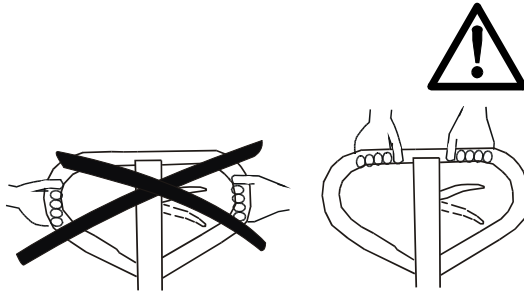
Var uppmärksam på klämrisk samt se till att ingen annan person finns i truckens omedelbara närhet.

FÖRSIKTIGHET!

Klämrisk.

Om händerna placeras på utsidan av handtaget föreligger risk för klämning i trånga utrymmen. Klämrisk föreligger också om händerna placeras mellan dragstång och dragstångsfäste eller mellan huvtopp och hydraul.

Håll därför händerna på handtagets ovansida vid användning av trucken.



Parkering av truck

Vid parkering ska gafflarna vara helt nedsänkta.

- Parkera **aldrig** trucken på lutande underlag.
- Parkera **aldrig** trucken så att den hindrar trafik och arbeten.

Underhåll och reparationer

- Se till att trucken regelbundet genomgår underhåll enligt *Smörjskiss* för att förebygga felfunktioner och olycksfall. Endast kvalificerad och utbildad personal tillåts underhålla, justera eller reparera trucken.
- Använd endast av Lift-Rite rekommenderade reservdelar vid service och reparation, se Lift-Rite reservdelskatalog.

Modifiering och ombyggnad av trucken som påverkar säker användning eller funktion är ej tillåtet.

Det rekommenderas att teckna ett service- och underhållsavtal för att säkerställa truckens driftsekonomi och säkerhet.

Garanti

Med varje fabrikslevererad truck ingår en produktgaranti enligt separat specifikation. Garantin gäller under förutsättning att underhåll och service sker i enlighet med rekommendationerna från Lift-Rite och är utförd av Lift-Rite auktoriserad personal samt med utnyttjande av Lift-Rite rekommenderade reservdelar.

Daglig tillsyn/säkerhetskontroll

Kontroll	Åtgärd
Styrning	Funktion
Hydraulsystem	Oljeläckage
Hjul	Skador, avlägsna olja, metallspån o dyl.
Chassi	Skador, avlägsna smuts o dyl
Lyftning/sänkning	Funktion lyft/neutral/sänkläge
Skyltar	Läsbarhet

OBS!

Försumma aldrig den dagliga tillsynen och säkerhetskontrollen.

Allvarliga skador kan annars inträffa.

Rapportera alltid och utan dröjsmål de fel och skador som upptäcks till arbetsledningen. Använd aldrig en truck som är behäftad med fel.

Säkerhetsregler vid underhållsarbete

- Håll rent på den plats där servicearbete utförs. Olja eller vatten gör golvet halt.

OBS!

Vid allt arbete med hydraulsystemet ska största renlighet iakttagas.

Isärtagna delar rengöres och inspekteras noggrannt.

Byt alltid tätningbrickor efter isärtagning.

- Lagra och bortskaffa utbytt olja enligt gällande lokala föreskrifter.
- Lösningemedel och dylikt som använts vid rengöring får ej spolas ut i avlopp som inte är avsedda för det. Följ de lokala föreskrifterna som gäller för destruktion.
- Avlägsna färgen minst 100 mm runt svets-/slipområdet med hjälp av blåstring eller färgborttagningsmedel, vid svetsarbete eller slipning på målade ytor .



FÖRSIKTIGHET!

Ohälsosamma gaser.

Färg som upphettas avger ohälsosamma gaser.

Avlägsna färgen 100 mm runt arbetsstället.



VARNING!

Klämrisk.

Dåligt uppallad truck kan falla ned.

Se till att trucken är säkrad mot tippning.



VARNING!

Klämrisk.

Klämrisk och andra skador föreligger vid arbete med hydraulsystemet om trucken är lastad.

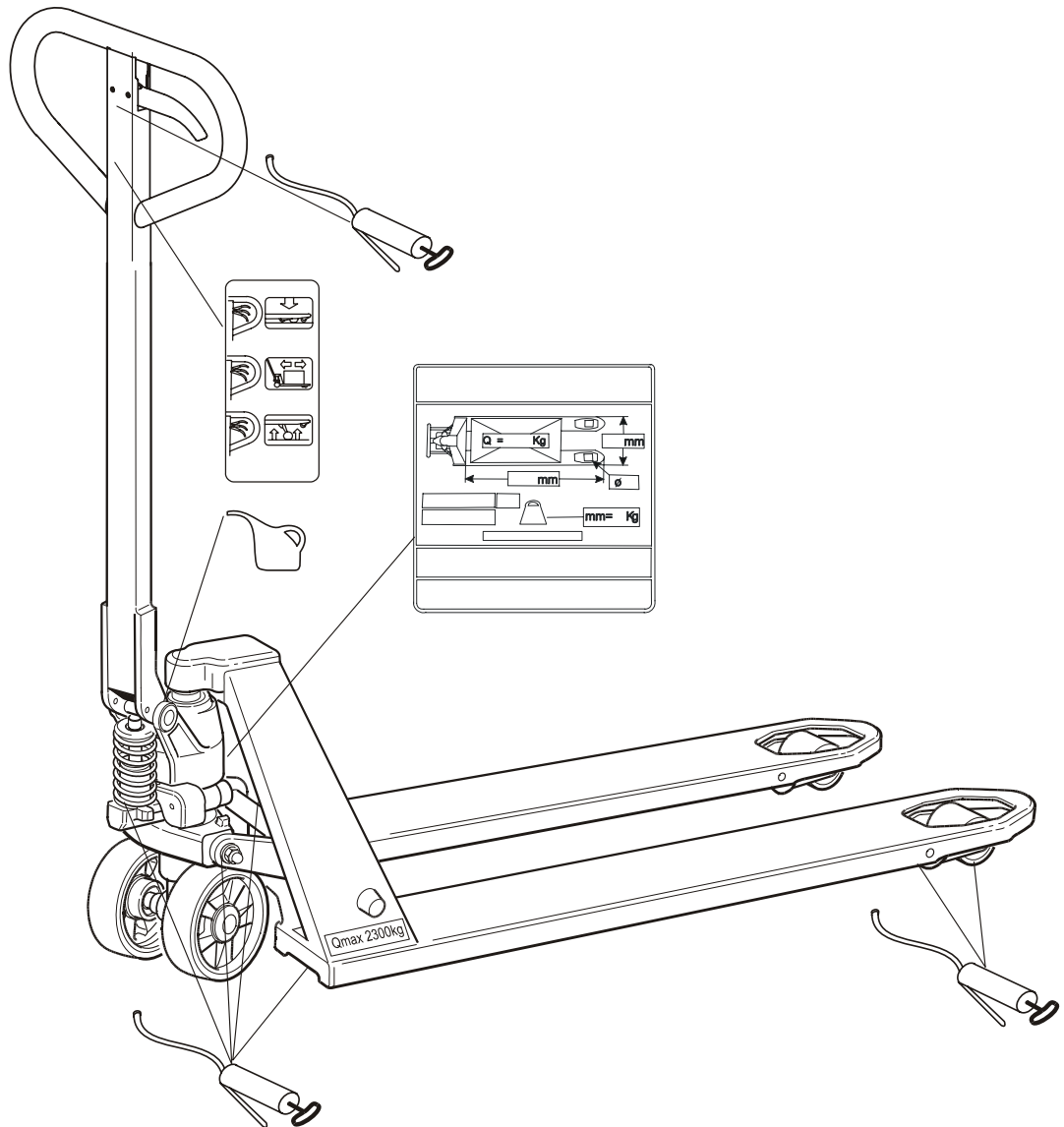
Se till att gafflarna är obelastade vid arbete med trucken.

Rengöring och tvättning

Rengöring och tvättning av trucken är en betydelsefull åtgärd för truckens tillförlitlighet.

- Smörj alltid trucken efter varje tvätt enligt smörjskiss och tabell.

Smörjskiss



Olje- och fettspecifikation

Smörjtyp	Specifikation	Produktnamn	Artikelnummer
Fett		OKQ8 Rubens WB	213366
Hydraulolja >-15° C	ISO-VG32 Kvalitetsnivå: ISO 6743-4 kategori HM DIN 51524 del 2 kategori HLP	Hydraulic oil 32	1 liter: 233328-001 5 liter: 233328-002
Hydraulolja <-15° C	ISO-VG27,5 Kvalitetsnivå: ISO 6743-4 kategori HV DIN 51524 del 3 kategori HVLP	Statoil 131	1 liter: 233916-001 5 liter: 233916-002

Informationsskyltar

Lastens vikt ska vara inom truckens tillåtna lyftförmåga, se typskylten.

OBS!

Om skylt ej är läsbar ska ny skylt beställas.

Tekniska data

Tabellen ger information om vissa tekniska data för standardutförande av trucken. Avvikelser kan förekomma.

Trucktyp	LEC 2300 /Q/X PST 5000	LEC 2300 P
Klassad lyftförmåga, kg ¹⁾	2300	2300
Lyfthöjd, mm	200	200
Höjd med uppfälld dragstång, mm	1220	1220
Total längd, mm	1500	1575
Vikt, kg ¹⁾	63	75
Svängradie, mm	1370	1370
Hjultryck	Kontakta din lokala Lift-Rite-representant för aktuell information	

¹⁾ Korrekt värde framgår av truckens typskylt.

Lyft av truck



VARNING!

Skärrisk.

Skärrisk föreligger då trucken lyfts för hand vid gafflar och ändplåt.

Använd alltid arbetshandskar vid lyft för hand.



VARNING!

Klämrisk.

Klämrisk föreligger då trucken lyfts för hand i stommen vid hydraulen.

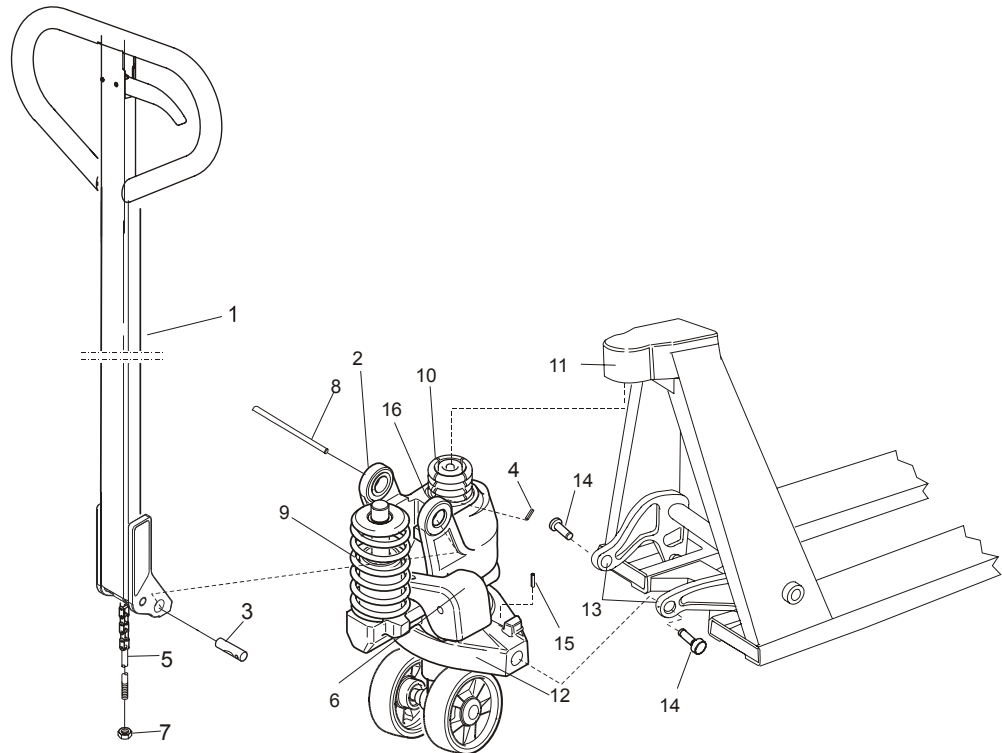
Använd alltid arbetshandskar vid lyft för hand.

Monteringsanvisningar



OBS!

Använd alltid SKYDDSGLASÖGON vid montering av truck.



1. Montering av dragstång:

Fixera dragstång (1) i dragstångsfäste (2). Montera axel (3) i fästet (2). Se till att axelns (3) **fasade** hål placeras **nedåt**. Lås axeln (3) med spännstift (4). Trä ventilstång (5) genom hålet på axel (3). Haka fast ventilstången (5) i spåret på sänkpedal (6). Justera in lyft- och sänkfunktion samt neutral-läge med mutter (7). Tryck ner dragstången och ta bort transportpinnen (8) som är monterad vid leverans.



VARNING!

Utlösande energi.

Fjäder (9) kan lossa ur sitt läge och orsaka skada om transportpinnen (8) tas bort innan dragstång (1) monteras.

Montera alltid dragstång (1) innan transportpinnen (8) tas bort.

2. Montering av hydraul i stomme:

Hydraulens övre del (10) placeras i huvtopp (11). För in hydraulens tryckplatta (12) mellan vridrörslänkar (13). Montera armbult (14) och lås med spännstift (15). Smörj armbulten (14). Montera låsring (16) i huvtoppens (11) spår.



VARNING!

Utlösande energi.

Vid montering av låsring (16) kan risk finnas att låsringen släpper från låsringsstången och orsakar skada.

lakttag försiktighet vid montering av låsringen.

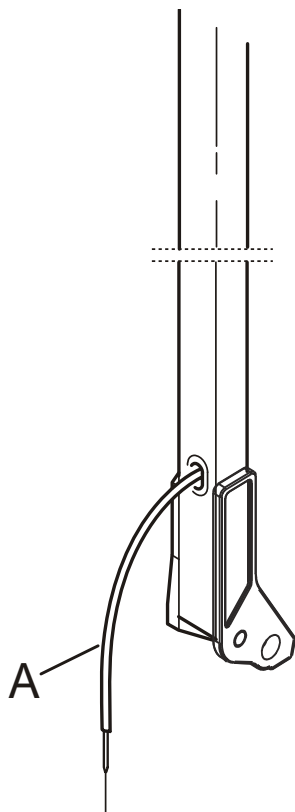


VARNING!

Utlösande energi.

Vid islagning med hammare kan spännstiften (4, 15) studsas och orsaka skada.

lakttag försiktighet vid montering av spännstiften.



Förarinstruktion för LEC 2300 X

Som tillägg till all annan information i boken gäller nedanstående instruktion specifikt för LEC 2300 X.

- Kontrollera att bromsvajern (A) är oskadad före användande av trucken.
- Kontrollera att bromsverkan är tillräcklig och justera vajer-spänningen vid behov.
- Drag bromshandtaget uppåt för att aktivera handbromsen.
- Handbromsen är också försedd med en parkeringsbromsfunktion. För att låsa bromsen, tryck in låsspärren mot låsklacken när vagnen är bromsad.

VARNING!

Lämna aldrig bromsad vagn med upplyft last.

- Släpp parkeringsbromsen genom att dra bromshandtaget uppåt och föra låsspärren utåt.

FÖRSIKTIGHET!

Klämrisk föreligger, håll aldrig fingret under låsspärren.

FÖRSIKTIGHET!

*Anpassa hastighet efter lutning och underlag.
Max lutning är 5% för användning av truck med handbroms.*

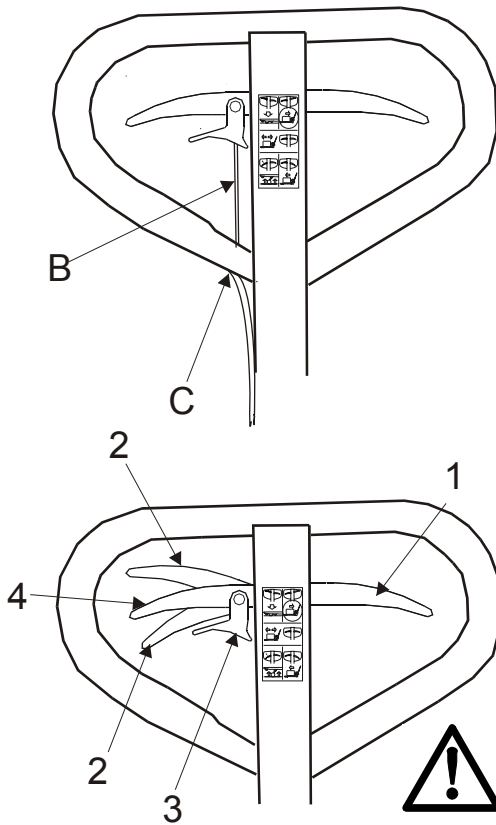
VARNING!

*Tippningsrisk.
Lastad truck kan välta vid vändning på lutande underlag.
Vänd aldrig lastad truck vid körning på lutande underlag.*

Förarinstruktion för LEC 2300 P/PST 5000

Som tillägg till all annan information i boken gäller nedanstående instruktion specifikt för LEC 2300 P/PST 5000.

LEC 2300 P/PST 5000 får **ej** användas i våta miljöer eller i miljöer med extrema temperaturväxlingar.



- Kontrollera att starthjälpsvajern (B) är oskadad före användande av trucken.
- Kontrollera funktionen på starthjälpsvajern och justera vajer-spänningen (C) vid behov.
- För sänkreglaget för hydraulen (1) till dess neutralläge när funktionen för starthjälp ska användas.
- För reglaget för starthjälp uppåt alt. nedåt (2) för önskad transportriktning. För att kunna föra reglaget nedåt måste spärren (3) lossas.
- För reglaget för starthjälp till neutralläge (4) när funktionen ej används.

VARNING!

Utlösande energi i dragstången.

Följden kan bli personskada eller skada på trucken.

Använd aldrig starthjälpen som broms. Aktivera aldrig reglaget för starthjälpen i motsatt riktning när trucken är i rörelse.



FÖRSIKTIGHET!

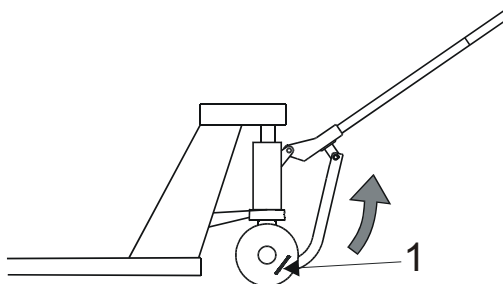
Klämrisk föreligger, håll aldrig fingret under låsspärren.

Håll heller aldrig händerna runt länkmarmen för starthjälpen.

- Rengör och smörj alltid starthjälpspaketet invändigt vid funktionsstörning (blockering/kärvning av hjul och/eller handtag).

Felsökning

LEC 2300 Fel	Orsak	Åtgärd
Pumpen tar ej fulla pumpslag	Luft i hydraulsystemet. Hydraulen innehåller för lite olja.	Pumpa fem pumpslag med öppen sänkventil. Kontakta servicetekniker.
Lyftläge, neutralläge samt sänkläge fungerar ej korrekt	Sänkventil ej korrekt injusterad	Justera ventilkedjans sträckning med justermutter
Gafflarna sjunker efter varje pumpslag	Läckage vid ventilkägla	Byt ventilkägla och bricka
LEC 2300 Q Fel	Orsak	Åtgärd
Snabblyften fungerar ej	Läckage i kulventiler	Byt quickkolven
LEC 2300 P/PST 5000 Fel	Orsak	Åtgärd
Lyft- eller starthjälpfunktioner fungerar ej korrekt	Lyft och starthjälp har valts samtidigt	Återför den funktion som ej önskas till neutralläge
Starthjälpfunktionen aktiveras ej när den önskas	Sträckning i vajer	Justera vajersträckning med justerskruv
Vajerbrott i starthjälpfunktionen	Överbelastning	För bygeln (1) till neutralläge för nödkörning samt byt vajer



SKROTNING



Stomme:	stål
Hjulupphängning:	stål och gjutjärn
Bussning:	mässing
Smörjnipplar:	stål
Hjul:	nylon- polyurethan- stål
Lackering:	epoxy-polyester
Hydraulstomme:	gjutjärn
Tryckplatta:	gjutjärn
Dragstång:	stål - nylon
Hjul:	nylon- polyurethan- stål- gummi
Lackering:	epoxy-polyester
Bussningar:	mässing
Hydraulolja:	destruktion enl. lokala förordningar
Monteringsdetaljer:	stål- mässing- nylon

EG-försäkran om överensstämmelse

Vi

Bekräftar härmed att maskinen:

Fabrikat:

Typ:

Serienummer:

Beskriven i bilagd dokumentation uppfyller kraven i:

- maskindirektivet 98/37/EC (t.o.m. 2009-12-28), 2006/42/EC (fr.o.m. 2009-12-29) genom att iaktta följande standarder: EN 1757-2

Övriga upplysningar

För leveranser till länder utanför EU kan skillnader förekomma med hänsyn till kraven på dokumentation på det lokala språket.

Modifieringsnr: _____

Utfärdat (datum och ort)

Namnsteckning

(Företag)

(Namnförtydligande)

Denna EG-försäkran är en översättning av den engelska originalversionen.



EC Declaration of Conformity

We Lift-Rite Europe
Sweden

Declare that the machine

Make: Lift-Rite
Type: LEC 2000*, LEC 2300*
Serial no(s): 3.300.000 – 3.899.999

Designation of machinery: Industrial Truck

*) Includes all variants

As described in attached documentation is in conformity with;

The Machinery Directive 2006/42/EC by complying to following standards; EN 1757-2.

Name: Wirenhammar
First name: Sven
Position: Vice President, Division Hand Trucks

Mjölby, 12/126

Place, date of issue

Signature

Lift-Rite Europe
SE-595 81 MJÖLBY
Sweden
Phone int.: +46 142 86810
Org. no: 556198-2868

The Product Development Department on the address above is authorised to compile the Technical file for the products for which this certificate is valid. For deliveries to countries outside the European Union, differences may occur with regard to requirements for documentation in the local language