

LIFFRITE®



MODEL LRP-5000 AND PST-5000 HAND PALLET TRUCKS
OPERATORS MANUAL • INSTRUCTION MANUAL • PARTS & SERVICE

TABLE OF CONTENTS

DELIVERY INSPECTION	1
SAFETY PROCEDURES	2
OPERATION - LRP-5000 and PST-5000 models	3
OPERATION - PST-5000 model	4
MAINTENANCE - LRP-5000 and PST-5000 models	5
MAINTENANCE - PST-5000 model	5 - 6
TROUBLE SHOOTING	7
WARRANTY POLICY	8
Model LRP5000 Frame & Hydraulic pump diagram	9 - 10
PST-5000 Frame & hydraulic pump assembly	11 - 12
PST-5000 Power Start Mechanism diagram	13 - 14

DELIVERY INSPECTION

Visually inspect hand pallet truck frame components and hydraulic unit for damage during shipment by carrier. If damage is evident, notify delivering carrier immediately and file necessary claims. Test the hand pallet truck pump for operation. **If the hydraulic pump does not respond to movement of the handle, an air lock may have developed during shipping. To remedy this, pull and hold the release lever then operate the pump several times. If the pump still fails to respond, see the trouble shooting guide on page 7.**



Do not use this piece of equipment if it has been damaged or is not in proper working order.

SAFETY SHOES

Always wear safety shoes when working with hand pallet trucks.



PROTECTIVE GLASSES

When assembling or dismantling a hand pallet truck, protective glasses must be worn to avoid personal injury.

OPERATOR'S RESPONSIBILITY

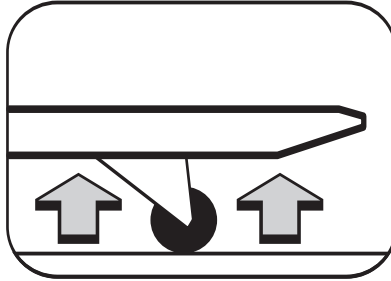
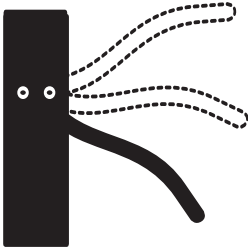
While operating a hand pallet truck always wear safety equipment and operate in a responsible manner to ensure a safe work area.

SAFETY PROCEDURES

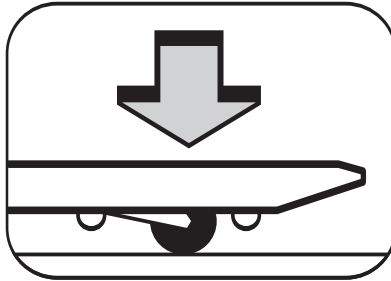
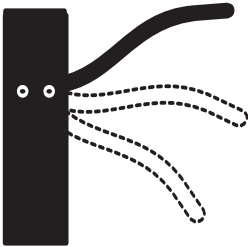
- Never overload your hand pallet truck. Stay within rated capacity.
- Distribute the load evenly on the forks. Do not concentrate loads at one point or load one fork more than the other.
- Never put your feet, hands or any other body part under the frame assembly.
- Do not allow your hand pallet truck to drop from one level to another. Even a drop of 1" (25mm) more than doubles the effective load momentarily and results in a "Shock" which can bend or break components.
- Always ensure load is stable before moving to eliminate opportunity for load shift.
- When not in use, forks should be fully lowered to avoid injury.
- Never change PST lever setting while truck is in motion as damage or injury could occur.

OPERATING INSTRUCTIONS

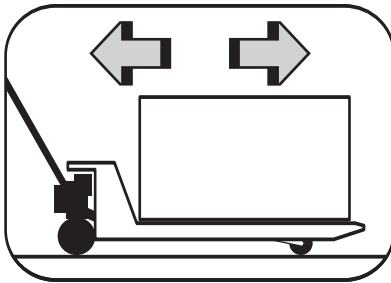
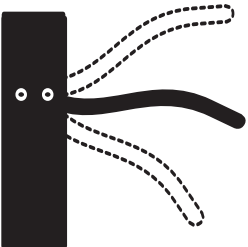
Lifting/ Lowering - LRP-5000 and PST-5000 models.



→ To raise load, push down on finger tip control. Pump handle to raise load from floor.



→ To lower load, pull up on finger tip control.



→ For free handle movement, place finger tip control in neutral position.

NOTE:

Important for PST-5000 and LRP-5000 models.

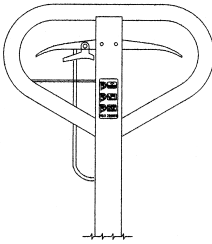
The neutral position disengages the pump from the lifting mechanism. This frees the handle, which makes pulling loads much easier and is required when using the PST mechanism. Also the pump is not being subjected to shock pressures while the truck is in motion.

POWER START OPERATION – (Model PST-5000 only)

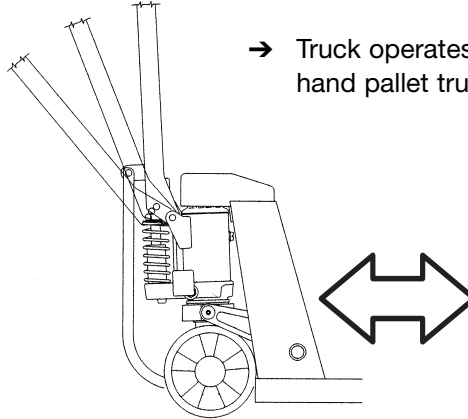
Control setting

Operation

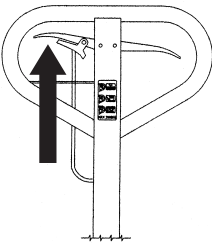
→ PST Lever in neutral position



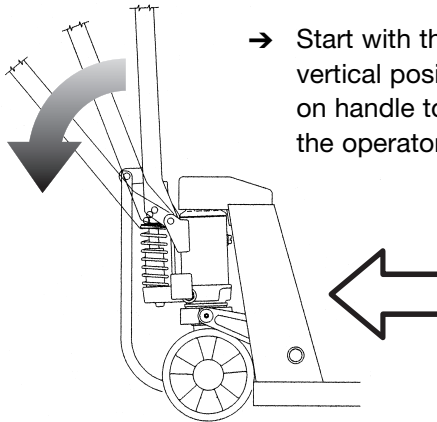
→ Truck operates like traditional hand pallet truck



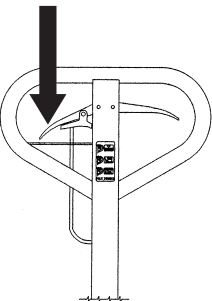
→ Hold PST Lever in "UP" position



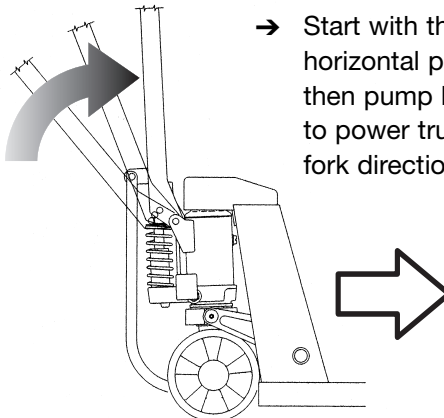
→ Start with the handle in vertical position; pump down on handle to power truck in the operator direction.



→ Disengage catch and lower PST Lever in "DOWN" position.



→ Start with the handle in horizontal position; lower then pump handle upward to power truck in the fork direction.



NOTE:**Important for PST-5000 and LRP-5000 models.**

The neutral position disengages the pump from the lifting mechanism. This frees the handle, which makes pulling loads much easier and is required when using the PST mechanism. Also the pump is not being subjected to shock pressures while the truck is in motion.

MAINTENANCE INSTRUCTIONS**Lubrication**

All pivot points are equipped with bushings and bearings.

To increase bearing life, it is recommended that a few drops of light machine oil be applied at each pivot point every 6 months.

All pilot points with grease fittings should be greased every 6 months.

Hydraulic system

Your hydraulic system is maintenance free. Do not add hydraulic oil unless there is, or has been a leak. Use Premium HVI hydraulic oil or equal.

Other oils, fluids or solvents can damage your hydraulic system.

If additional oil is required, position forks in lowered position.

Remove oil filler plug (located on side of reservoir). Refill with hydraulic oil to plug hole level. Replace oil filler plug.

MAINTENANCE INSTRUCTIONS - (Model PST-5000 only)

In dirty/dusty applications it can be necessary to clean the mechanical components inside the wheels (Item # 35, 36, 37, 38, 40, and 43 (shown on page 12)).

If the truck is washed make sure the mechanical coupling is dried afterwards before operating.

Service instructions for: Wire cable assembly (Item # 8)

Wire change:

- 1) Place PST lever (item# 3) in down position. Disassemble axle (item# 1) and catch (item# 2). Remove the wire cable assembly (item # 8) at PST lever end from tow-bar, leave bottom end of wire for later.
- 2) Install the new wire in the tow-bar through the two top guides (item # 7).
- 3) Disassemble locking pin (item # 51) and axle (item # 50) 2x.
- 4) Disassemble bracket (item # 48) from lever (item # 52).
- 5) Take off the wheel cover (item # 31).

Important: The frame should now be turned on its side with released wheel cover topside.

Warning! Secure frame to prevent it from falling or moving unexpectedly.

- 6) Release locking ring (item # 42).
- 7) Lift the wheel (item # 33) slowly, be aware of the rollers (item # 37) 4x which may fall out from direction lever (item # 36), remove the direction lever (item # 36), watch for the spring (item # 38), (released energy).
- 8) Disassemble the clamp wire (item# 44) and remove from the remaining wire cable end.
- 9) Assemble the new wire cable assembly at bottom end through the guide (item # 7) on lever arm (item # 52).
Put bracket (item # 48) back in place and mount axle and pin.
- 10) Bring handle (item # 3) to neutral position.
Assemble wire, loop, spring, direction lever and rolls 4x.

Important: The spring (item # 38) must be installed to counter (resist) the pull of the wire cable.

PST-5000 Wire adjustment

If the PST function is grabbing when the PST lever is in the neutral position, make a stroke with the PST handle to neutralize the function. Test if the wheels are locking when you are pulling or pushing the truck.

Pulling: The wire is too loose, tighten the wire.

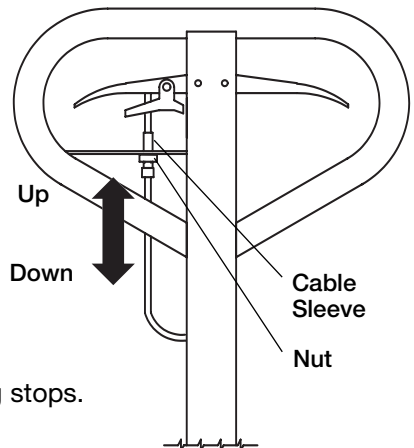
Screw the cable sleeve down half a turn and test the function. If the problem is resolved tighten the nut to set the position. If the grabbing continues repeat the previous step until grabbing stops.

Pushing: The wire is too tight, loosen the wire.

Screw the cable sleeve up half a turn and test the function.

If the problem is resolved tighten the nut to set the position.

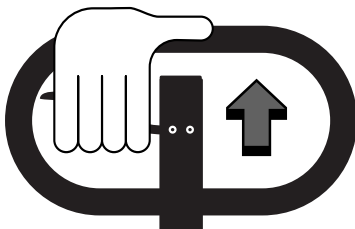
If the grabbing continues repeat the previous step until grabbing stops.



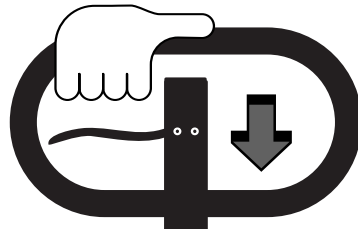
TROUBLE SHOOTING

Condition	Possible cause	Action
- Pump does not lift load	- An air lock in the hydraulic system	- See figure below
- Lifting, neutral, and lowering does not function properly	- Chain anchor adjustment required (model LRP 5000)	- Turn nut (PL-10271) on chain anchor clockwise until pumping action while in neutral does not raise forks.
- Forks raise and sink with pump action	- Dirt or foreign particle caught in cone valve seat	- See figure below
- Pump does not lift load to complete raised height	- Pump is low on oil due to oil leak.	- Refer to procedure for adding hydraulic oil in maintenance section.
- PST not operating properly	- Dirt or dust in mechanical components - Wire adjustment required	- Refer to PST-5000 maintenance section

IF THE PUMP DOES NOT LIFT NORMALLY PULL UP ON CONTROL LEVER AND HOLD WHILE PUMPING HANDLE SEVERAL TIMES.



THEN SET CONTROL LEVER TO PUMP POSITION AND PUMP HANDLE NORMALLY TO LIFT LOAD.



HAND PALLET TRUCK WARRANTY

LIFT-RITE will guarantee this product against material or manufacturing defects provided the truck has not been abused and is used under normal conditions*.

LIFT-RITE will provide replacement components for those deemed defective by

LIFT-RITE under the terms listed below:

Model LRP-5000 Only - The complete hydraulic pump and chassis are covered for (3) years. Wearable components such as wheels, rollers, and bushings are covered for (6) months.

Model PST-5000 Only - The complete hydraulic pump and chassis are covered for (2) years. The PST power start mechanism is covered for (12) months. Wearable components such as wheels, rollers, wire cable and bushings are covered for (6) months.

All warranty periods begin as of date of purchase.

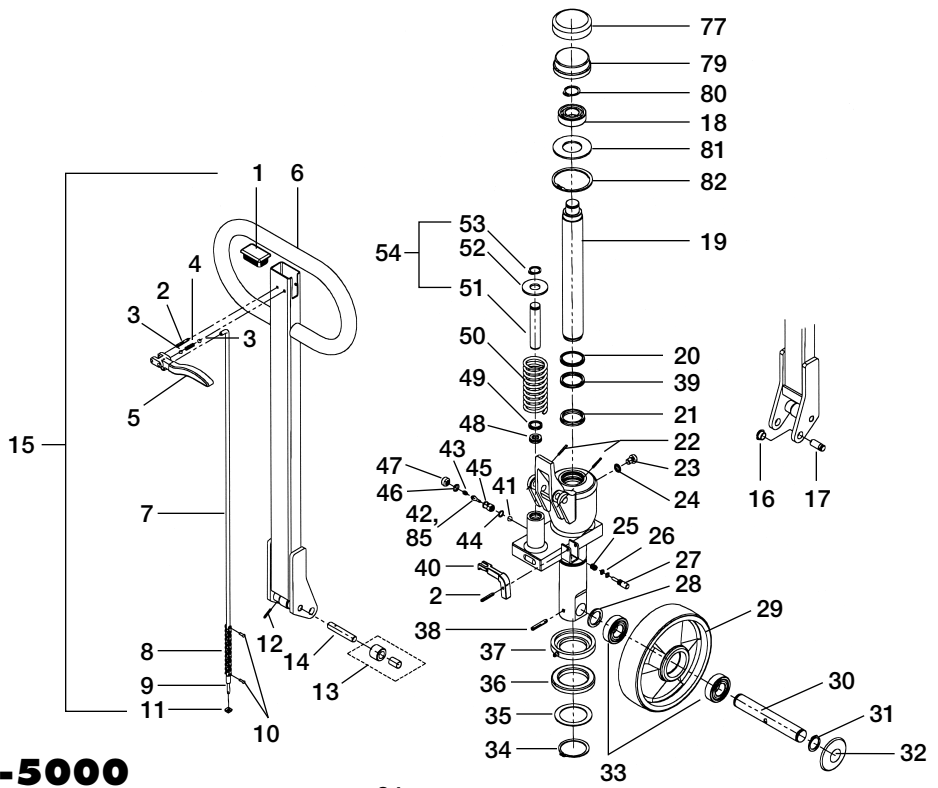
This warranty does not include labor or miscellaneous costs involved in the replacement of any components determined to be defective.

In order to claim for warranty, you must supply the truck serial number, as well as date of purchase.

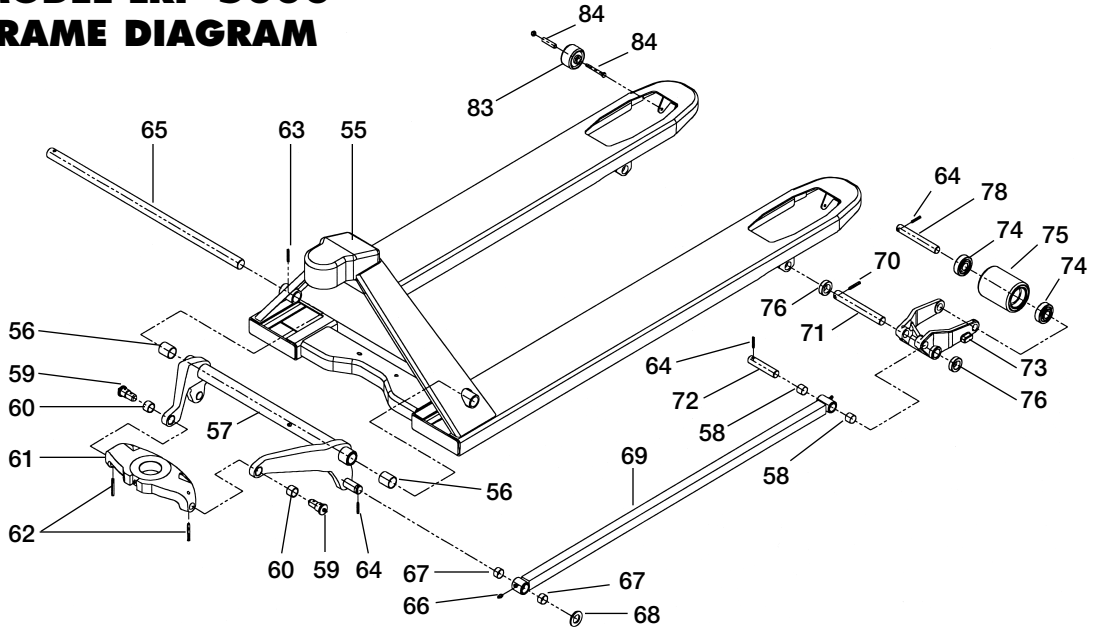
*Any truck used under adverse conditions, such as fish, meat or poultry processing plants, tanneries, freezer applications, or any other application where the unit is operating in water or subjected to fluid or chemicals, is **NOT** covered under any warranty.

Bent, twisted or misaligned forks are clear signs of abuse and are not covered under warranty.

**MODEL
LRP-5000
HYDRAULIC
PUMP
DIAGRAM**



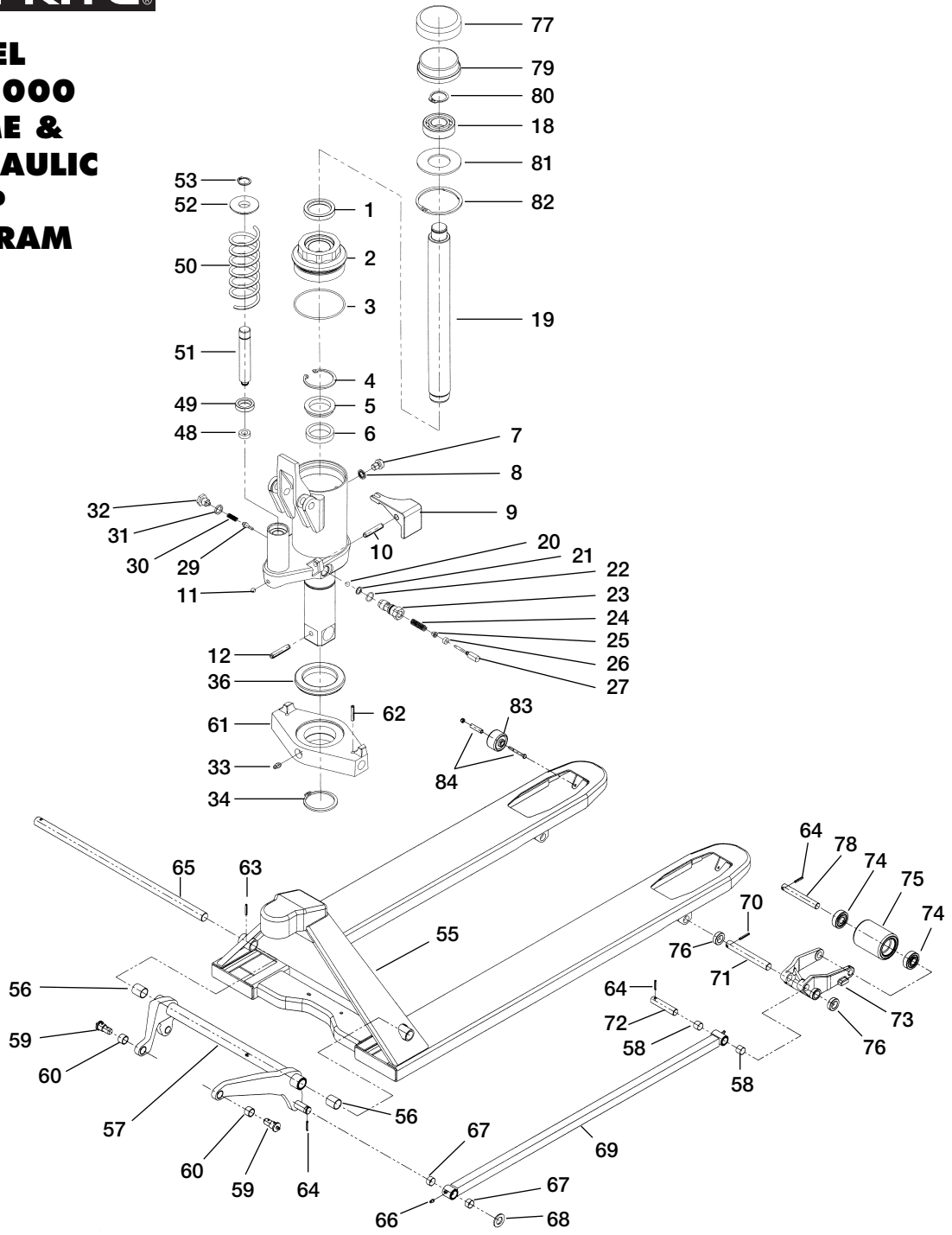
**MODEL LRP-5000
FRAME DIAGRAM**



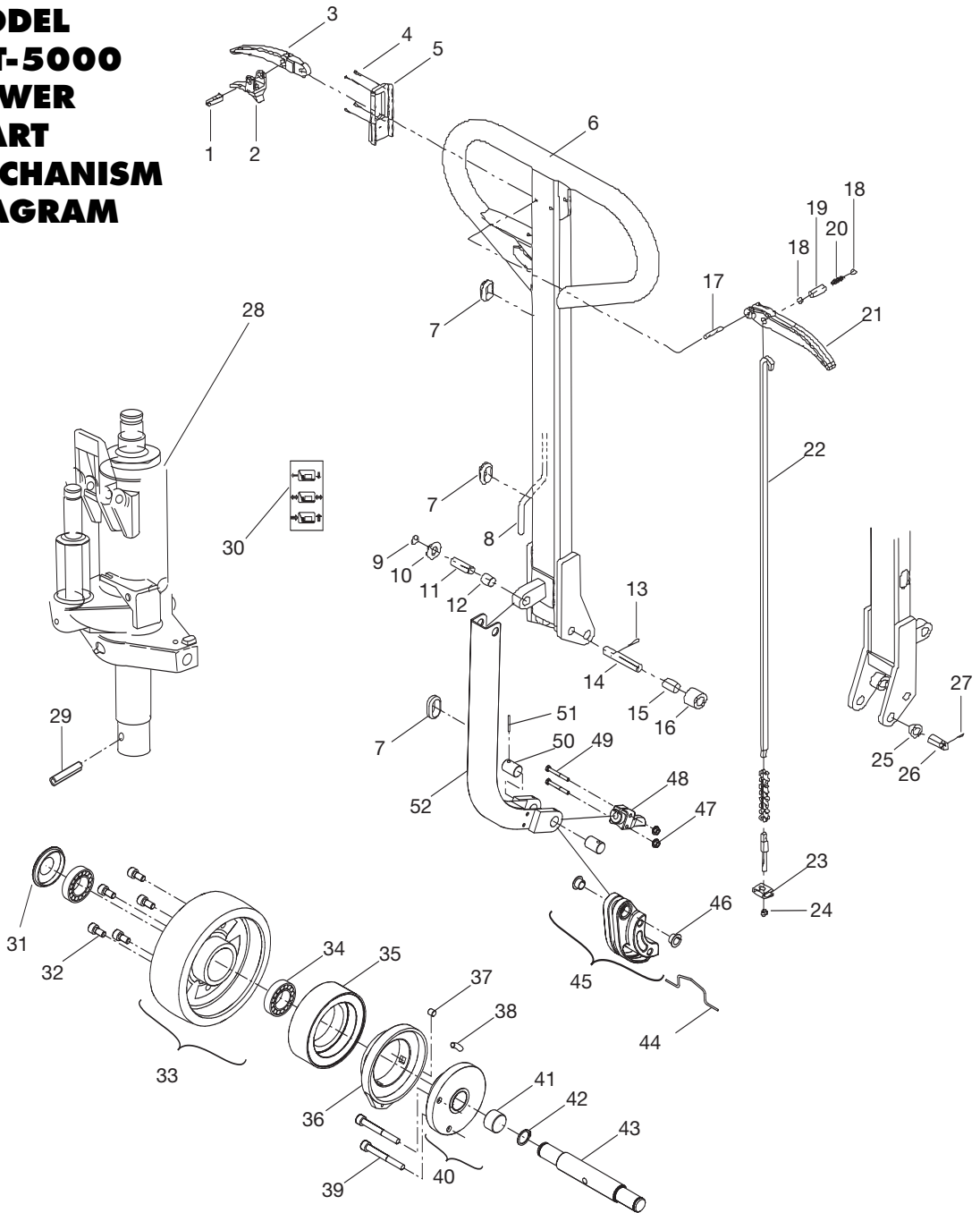
Item No.	DESCRIPTION	Part No.	Qty.
1	Handle cap	PL20274E	1
2	Split Pin	PL10269	2
3	Ball	PL10254	2
4	Spring	PL20274C	1
5	Control Lever	PL20274BD	1
6	Outer Handle	PL20274	1
7	Control Rod	PL20274A	1
8	Chain	PL20272	1
9	Adjusting bolt	PL10270	1
10	Rivet	PL10273	2
11	Adjusting Nut	PL10271	1
12	Split Pin	PL20274RB	1
13	Roller complete with bushing	PL20274RA	1
14	Pin	PL20274P	1
15	Complete Handle (Items 1-14)	PL20276	1
16	Bushing	PL20306	2
17	Handle Bracket Pin	PL20275	2
18	Ball Bearing	PL90532D	1
19	Main Lift Piston	PU-B10243	1
20	Wiper Ring	PL10245	1
21	Main Seal	PL10246	1
22	Split Pin	PL20274S	2
23	Oil filler plug	PU-B10267	1
24	Sealon	PU-B10259A	1
25	Release Pin Spring	PL10258	1
26	Release Pin O-Ring	PL10259	2
27	Release Pin	PL10260	1
28	Washer	PL10239	2
29	Steer Wheel w/bearings		
	Polyurethane	PL20236B-B	2
	Nylon	PL20236N-B	2
	Steel	PL20236BS-B	2
30	Axle	PL168328	1
31	Snap Ring	PL10237	2
32	Hub Cap	PL10236C	2
33	Ball Bearing	PL10238D	4
34	Snap Ring	PL10235	1
35	Thrust Washer	PL20234A	1
36	Thrust Bearing	PL10234	1
37	Thrust Collar	PL20233	1
38	Split Pin	PL20242	1
39	Energized Seal	PL10249	1
40	Release Lever	PL10268	1
41	Ball	PL10261A	1
42	Ball	PL10261	1
43	Plug Bolt Spring	PL10264	1
44	O-Ring	PH10256	1
45	Ball Valve	PL10262	1
46	Plug Bolt O-Ring	PL10265	1
47	Plug Bolt	PL10266	1
48	Pump Piston Seal	PL10252	1
49	Pump Piston Wiper Ring	PL10251	1
50	Handle Return Spring	PL20253	1
51	Pump Piston Pin	PL10250A	1
52	Pump Piston Washer	PL10250B	1
53	Snap Ring	PL10250C	1

Item No.	DESCRIPTION	Part No.	Qty.
54	Pump Piston Complete	PL10250	1
55	Chassis		
	(Specify length & width)	PL90800	1
56	Torsion Bar Bushing	PL90503A	2
57	Torsion Bar		
	20.5" wide truck	PL90802B	1
	27" wide truck	PL90802A	1
58	Bushing	PL90525A	4
59	Thrust Plate Shoulder Pin	PL10207	2
60	Bushing	PL90806	2
61	Thrust Plate	PL20231	1
62	Split Pin	PL10205	2
63	Locking Pin	PL90569E	1
64	Locking Pin	PL90569D	6
65	Axle for torsion tube		
	- 27" wide	PL90504A	1
	Axle for torsion tube		
	- 20.5" wide	PL90504B	1
66	Greasing Nipple	PL10236PRES	8
67	Bushing	PL90526A	4
68	Washer	PL90527A	2
69	Push Bar		
	36" fork length	PL90524x36	2
	42" fork length	PL90524x42	2
	48" fork length	PL90524x48	2
70	Locking Pin	PL90569F	2
71	Axle	PL90519	2
72	Axle	PL90525B	2
73	Wheel Fork		
	complete with Bushings	PL90512	2
74	Load Roller Bearing	PL20214	4
75	Load Roller with Bearing		
	Polyurethane	PL20210P-B	2
	Nylon	PL20210N-B	2
	Steel	PL20210S-B	2
76	Wheel	PL90520	4
77	Insert	PL90532A	1
78	Axle	PL90515	2
79	Housing	PL90532B	1
80	Locking Ring	PL90532C	1
81	Washer	PL90532E	1
82	Locking Ring	PL90532F	1
83	Wheel	PL10281	2
84	Axle assembly		
	complete with sleeve, nut	PL10285	2
85	Split Pin	PL10263	1
	Pump assembly	PL90877	1

**MODEL
PST-5000
FRAME &
HYDRAULIC
PUMP
DIAGRAM**



MODEL PST-5000 POWER START MECHANISM DIAGRAM



Item No.	DESCRIPTION	Part Number	Quantity
1	axle	PST90524A	1
2	catch	PST90524	1
3	handle	PST90519	1
4	RIVET	PST90525A	4
5	LOCK	PST90525	1
6	HANDLE		
	OUTER HANDLE	PST90574TD	1
	HANDLE COMPLETE	PST90576	1
7	guide	PST90509	3
8	WIRE	PST90517	1
9	locking ring	PST90510C	2
10	washer	PST90510B	2
11	axle	PST90510	1
12	bush	PST90510A	1
13	locking pin	PL20274RB	2
14	axle	PL20274P	1
15	bush	PL20306A	1
16	roller	PL20274R	1
17	split pin	PST90519A	1
18	ball	PL90554	2
19	sleeve	PL90574CS	1
20	spring	PL90574C	1
21	handle	PL90574B	1
22	valve bar complete	PL90574AC	1
23	spring	PL90571A	1
24	nut	PL90571	1
25	bush	PL20306	2
26	axle	PL20275	2
27	locking pin	PL20274S	2
28	hydraulic unit	PST90577NW	1
29	locking pin	PL90542	1
30	sign	PL90511	1
31	cap	PL90536C	2
32	screw	PST90536S	10
33	wheel complete	PST90536-B	2
34	bearing	PL90538D	4
35	wheel ring	PST90515	2
36	direction lever	PST90516A	2
37	roller	PST90516D	8
38	spring	PST90516B	2
39	screw	PST90516C	2
40	hub complete		
	left	PST90576L	1
	right	PST90576R	1
41	bush	PST90516E	2
42	locking ring	PL90537	2
43	axle	PST90522	1
44	clamp	PST90514B	2
45	driver (complete)	PST90514	1
46	bush	PST90514A	2
47	nut	PST90513B	2
48	bracket	PST90513	1
49	screw	PST90513A	2
50	axle	PST90512A	2
51	locking pin	PST90512	2

LIFT-RITE®

Due to LIFT-RITE'S continuing product development program, specifications are subject to change without notice.
Contact your authorized LIFT-RITE dealer to confirm the most recent specifications.