

# STAINLESS STEEL

## HAND PALLET TRUCK

### *THE ULTIMATE DURABLE GOOD*

The harsher the environment, the more the Stainless Steel (SS) comes through. It's manufactured from stainless steel and other corrosion resistant materials, making it reliable and durable. In addition, the surface is glass blasted, which makes it easy to clean and every unit has ten grease fittings that allow for easy maintenance and protection against corrosion.



**LIFFRITE**  
KEEPS YOU MOVING



# STAINLESS STEEL

## HAND PALLET TRUCK

FOR ORDERS OR INQUIRIES CALL 1.800.558.6012 OR EMAIL [HPTORDERS@LIFTRITE.COM](mailto:HPTORDERS@LIFTRITE.COM)

### MAINTAINABILITY

It's fortified with stainless steel. So working in a harsh environment won't be a problem.

### FEATURES

- » Manufactured from stainless steel and other corrosion resistant materials.
- » It's glass blasted frame finish, makes it easier to clean and maintain.
- » Ten grease fittings allow for easy maintenance and protection against corrosion.

### SPECIFICATIONS:

SS11LSA1-000

- » Capacity: 4,400 lbs
- » Fork Length: 48 inches
- » Frame Width: 27.00 inches
- » Fork Width: 6.25 inches
- » Low Height: 2.90 inches
- » Raised Height: 7.65 inches
- » Wheel Diameter: 7.00 inches
- » Wheel Type: Nylon
- » Roller Diameter: 3.00 inches
- » Roller Type: Nylon
- » Weight: 155 lbs



Durable nylon wheels



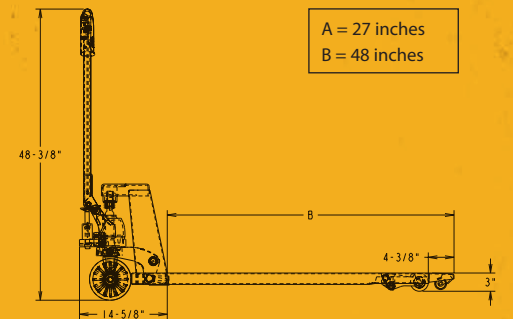
Get a grip on working in comfort with the control handle



Stainless steel fork frame and hydraulic pump



The glass-blasted frame finish makes it easy to clean



**LIFT-RITE**  
KEEPS YOU MOVING

©2021 Lift-Rite  
PO Box 130, Greene, NY 13778-0130  
[www.liftrite.com](http://www.liftrite.com) | Toll free 1-800-558-6012

Due to continuous product improvement, specifications are subject to change without notice or obligation. Some systems and features shown are optional at extra cost. Lift-Rite is a U.S. trademark of Lift-Rite.